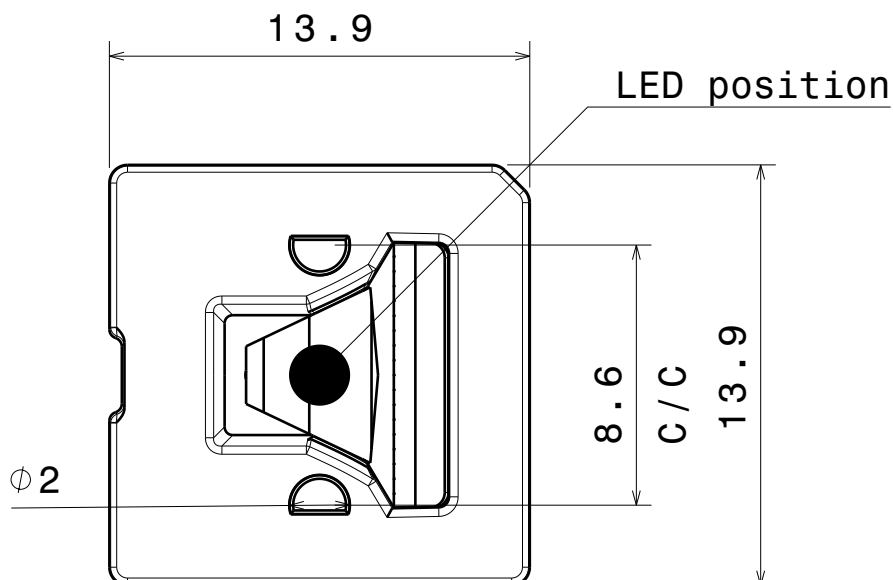
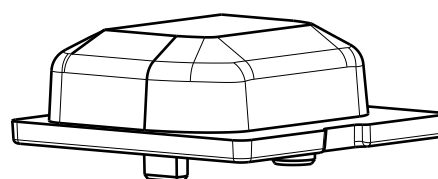


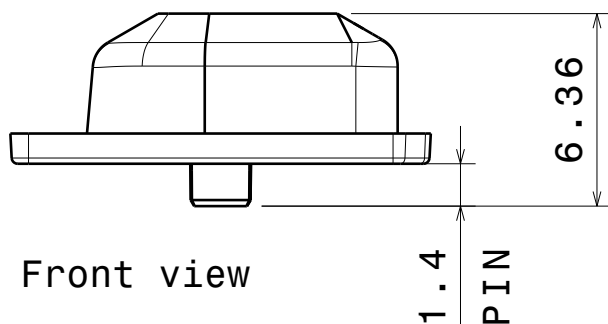
DATE
18.11.2019



Bottom view



Isometric view
Scale: 3:1



Front view

PART	TYPE	MATERIAL	COLOR / COATING
C14501_STRADELLA-T3		PMMA	

MECHANICAL DRAWING

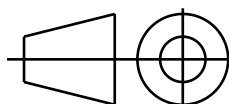
PRODUCT

STRADELLA

LEDiL®

Plastic moulding general tolerances according to DIN 16901-130 and applies if not otherwise shown in the drawing. Silicone moulding general tolerances according to ISO 3302-1 Class M3 and applies if not otherwise shown in the drawing.

FIRST ANGLE PROJECTION:



This drawing is the property of LEDiL Oy. It may not be copied or otherwise distributed without prior written permission from LEDiL Oy.

SCALE

4:1

WEIGHT 0,6 g

A4

SHEET 1/1

D

A