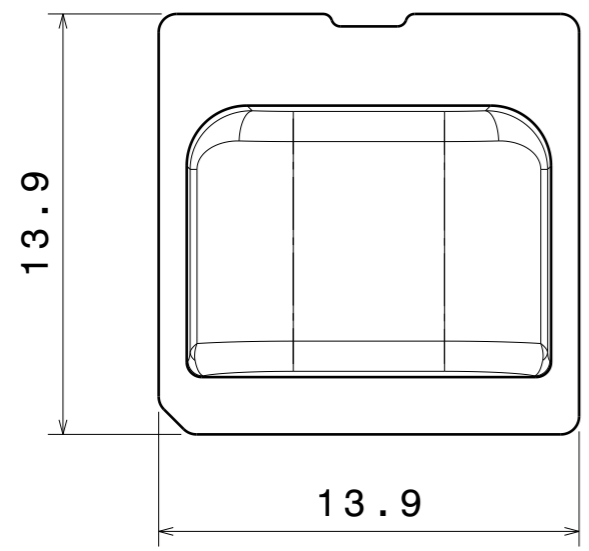
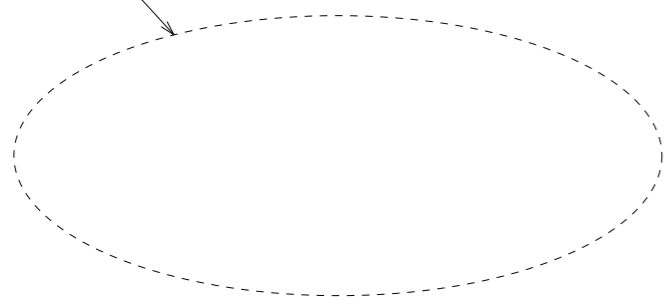
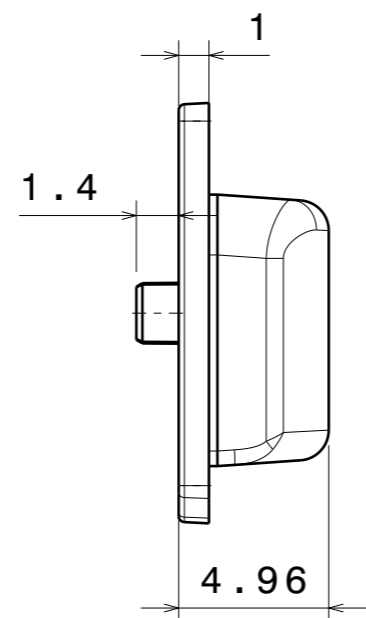


Isometric view
Scale: 4:1

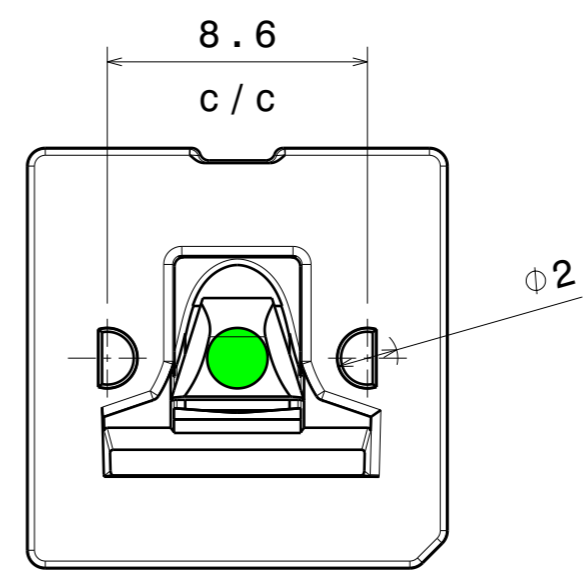
Beam direction



Front view



Left view



Rear view

PART	TYPE	MATERIAL	COLOR / COATING
C14502_STRADELLA-T2		PMMA	clear

MECHANICAL DRAWING	
PRODUCT	STRADELLA
Plastic moulding general tolerances according to DIN 16901-130 and applies if not otherwise shown in the drawing. Silicone moulding general tolerances according to ISO 3302-1 Class M3 and applies if not otherwise shown in the drawing.	FIRST ANGLE PROJECTION:
SCALE 4:1	WEIGHT 0,5 g

LEDiL[®]

This drawing is the property of LEDiL Oy. It may not be copied or otherwise distributed without prior written permission from LEDiL Oy.

A3 SHEET 1/1

Notes

	PCB or heatsink level.
	LED location
	Ensure LED fitting from a product specific 3D model available from www.ledil.com
	For more details about installation please see LEDiL Installation Guide on www.ledil.com