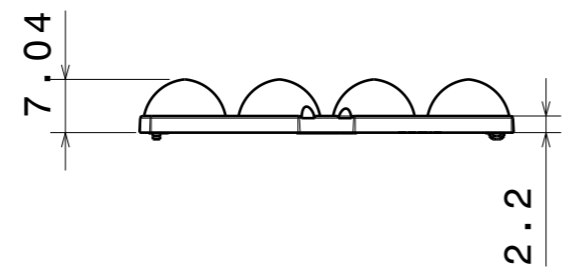


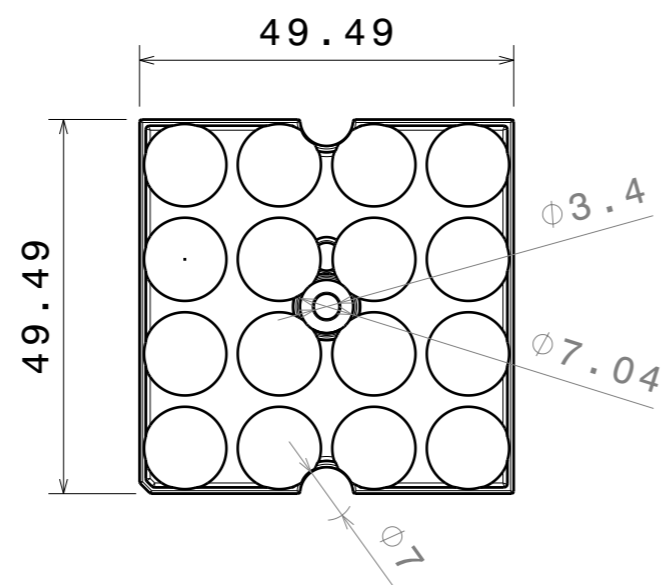
H G F E D C B A

4



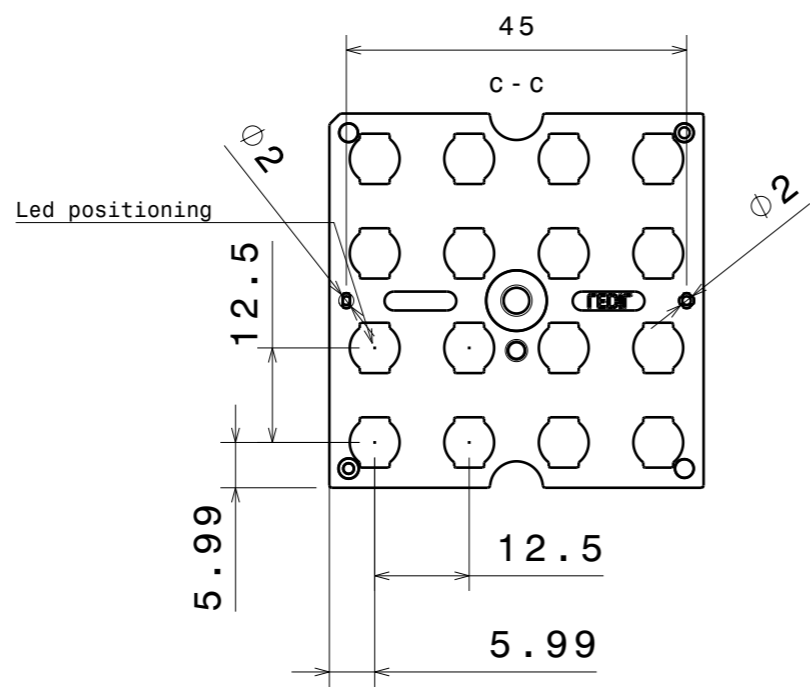
4

3



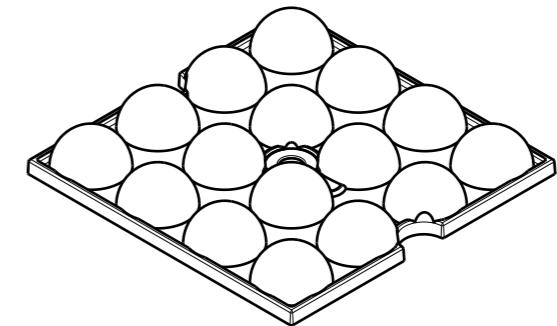
3

2



2

1



Isometric view
Scale: 1:1

1

INDEX	PART NO	DESCRIPTION	MATERIAL	COLOUR
1	C1xxxx_Stradella-16-HB-W			

Tolerances if not otherwise shown
According to DIN ISO 2768-1
Linear measures:
Up to 30mm class M, otherwise class C.
According to DIN ISO 2768-2
Form and position: class L

LEDiL LediL Oy
Salorankatu 10
FIN 24240 SALO
Finland

THIRD ANGLE PROJECTION:

DRAWING TITLE
C1xxxx_Stradella-16-HB-W_

This drawing is the property of LEDiL Oy. It may not be reproduced, copied or communicated without a written agreement with LEDiL Oy.

SIZE	PART NUMBER
A3	C1xxxx_Stradella-16-HB-W

SCALE	1:1	WEIGHT	23,07 g	SHEET	1/1
-------	-----	--------	---------	-------	-----

H G F E D C B A