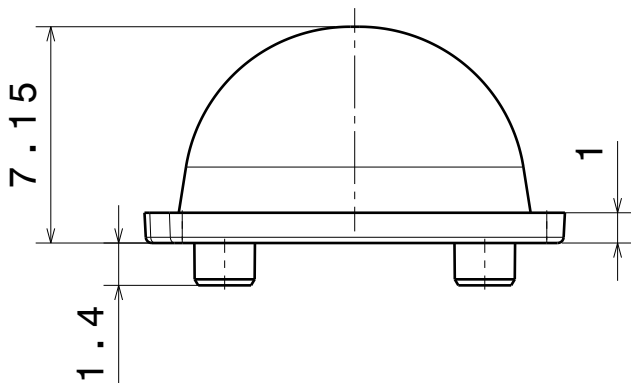
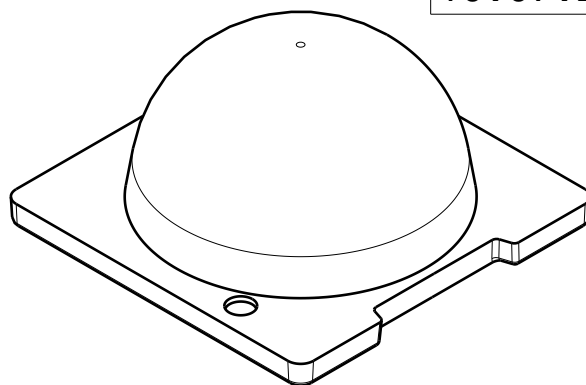


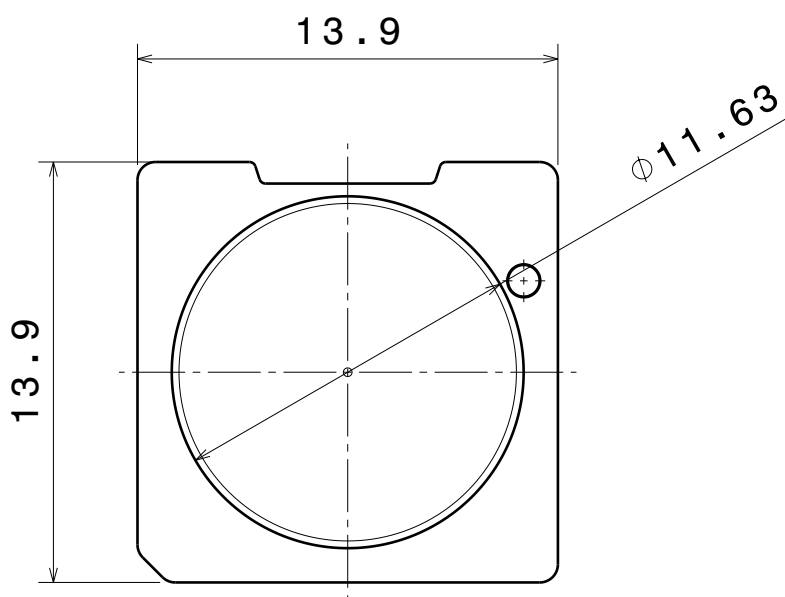
DATE
10.07.2019



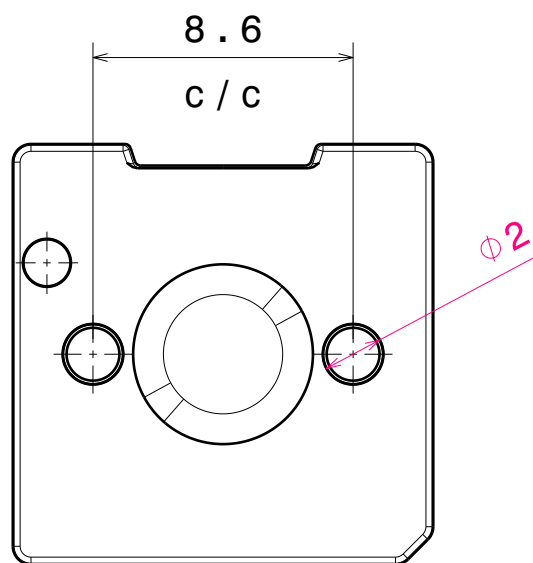
Front view



Isometric view



Top view



Bottom view

PART	TYPE	MATERIAL	COLOR / COATING
C17266_STRADELLA-HB-W-PC	LENS	PC	Clear

MECHANICAL DRAWING

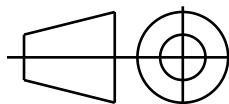
PRODUCT

STRADELLA

LEDiL®

Plastic moulding general tolerances according to DIN 16901-130 and applies if not otherwise shown in the drawing. Silicone moulding general tolerances according to ISO 3302-1 Class M3 and applies if not otherwise shown in the drawing.

FIRST ANGLE PROJECTION:



This drawing is the property of LEDiL Oy. It may not be copied or otherwise distributed without prior written permission from LEDiL Oy.

SCALE

1:1

WEIGHT

-

A4

SHEET 1/1

D

A