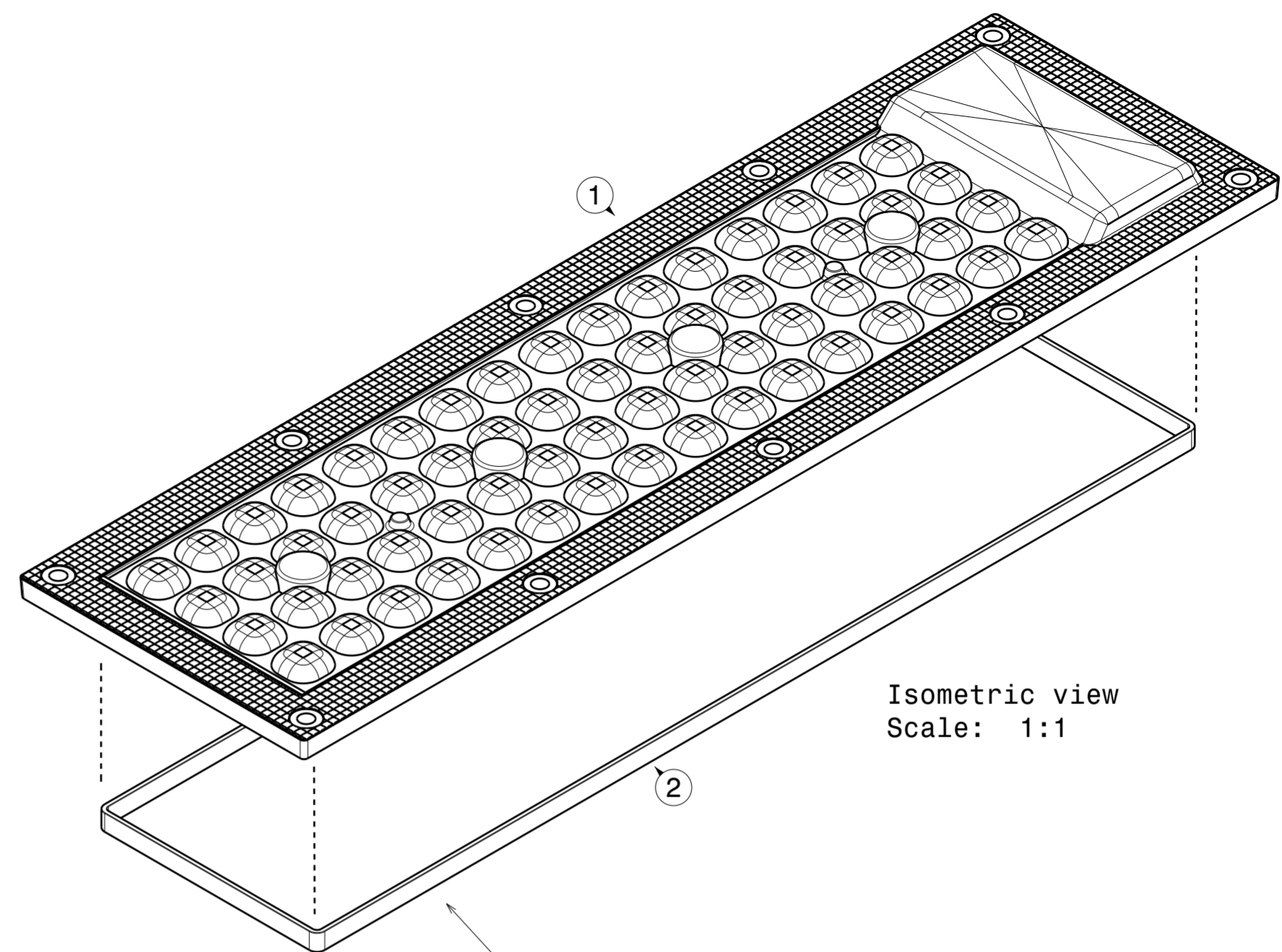
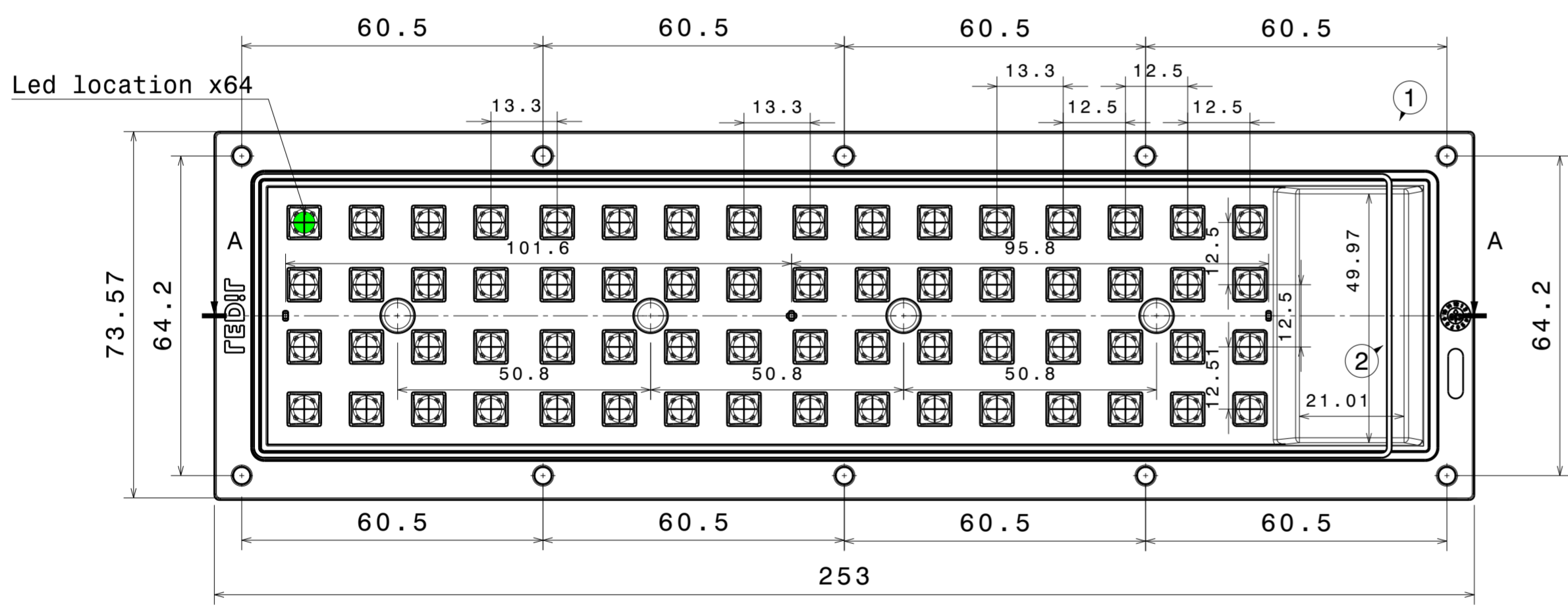


Section view A-A
Scale: 1:1



Isometric view
Scale: 1:1



Led location x64

Notes

- PCB or heatsink level.
- LED location
- Ensure LED fitting from a product specific 3D model available from www.ledil.com
- For more details about installation please see LEDiL Installation Guide on www.ledil.com

CS17646_STRADELLA-IP-64-VSM

COMPONENTS

INDEX	PART	TYPE	MATERIAL	COLOR / COATING
1	C17644_STRADELLA-IP-64-VSM			
2	C17215_STRADELLA-IP-64-SEAL			

MECHANICAL DRAWING

PRODUCT			
-			
Plastic moulding general tolerances according to DIN 16901-130 and applies if not otherwise shown in the drawing. Silicone moulding general tolerances according to ISO 3302-1 Class M3 and applies if not otherwise shown in the drawing.		FIRST ANGLE PROJECTION:	This drawing is the property of LEDiL Oy. It may not be copied or otherwise distributed without prior written permission from LEDiL Oy.
SCALE	1:1		
		SCALE	A2 SHEET 1/1