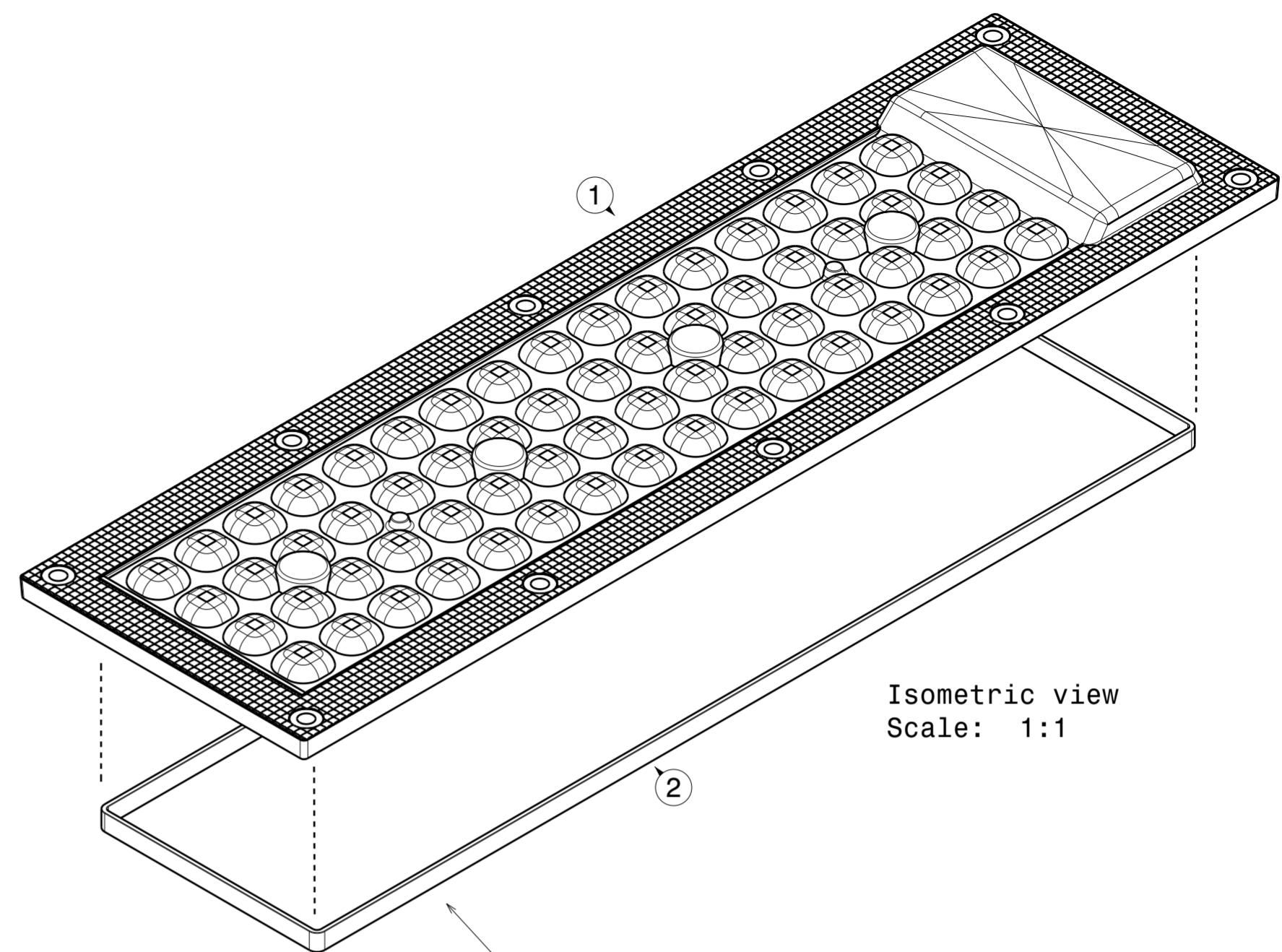
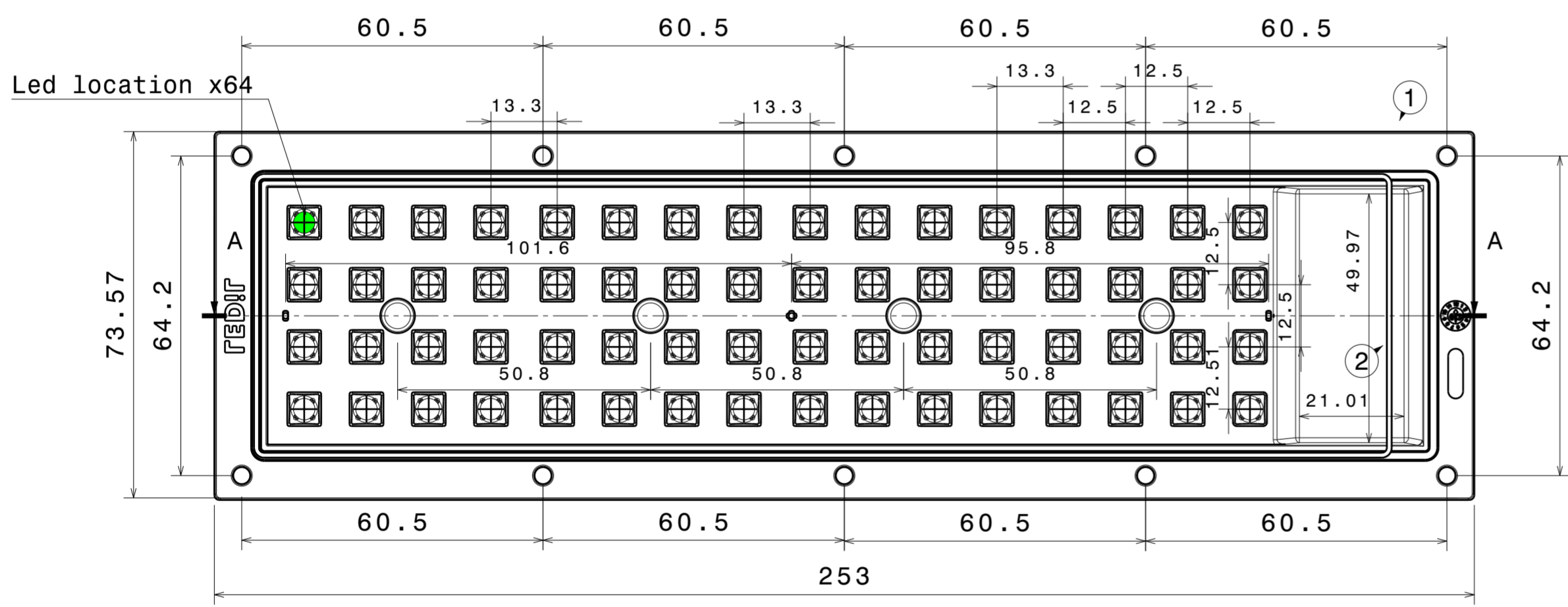


Section view A-A
Scale: 1:1



Isometric view
Scale: 1:1

Seal is stretched to fit in position



Led location x64

Notes

- PCB or heatsink level.
- LED location
- Ensure LED fitting from a product specific 3D model available from www.ledil.com
- For more details about installation please see LEDiL Installation Guide on www.ledil.com

CS17647_STRADELLA-IP-64-VSM-PC

COMPONENTS

INDEX	PART	TYPE	MATERIAL	COLOR / COATING
1	C17645_STRADELLA-IP-64-VSM-PC		PC	clear
2	C17215_STRADELLA-IP-64-SEAL			

MECHANICAL DRAWING		FIRST ANGLE PROJECTION:	LEDiL®
PRODUCT			
SCALE	1:1	WEIGHT	-
			A2 SHEET 1/1