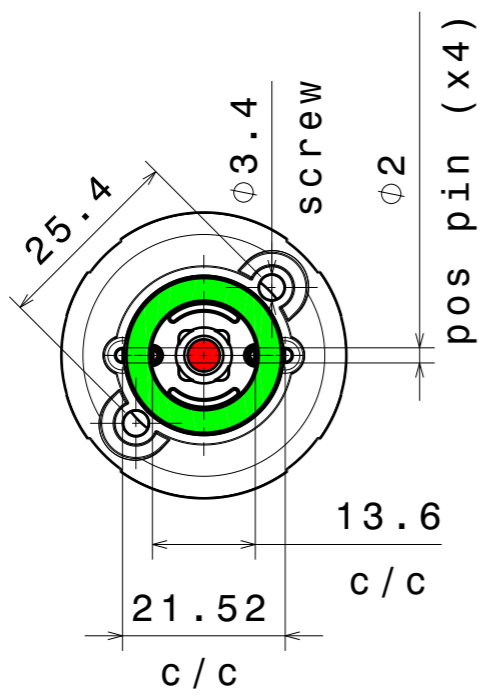
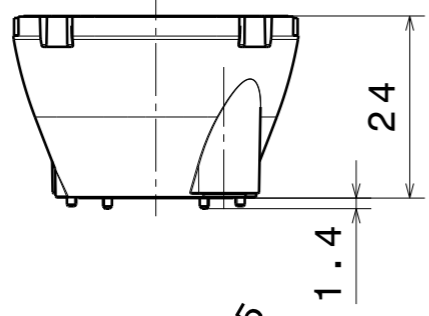


H G F E D C B A

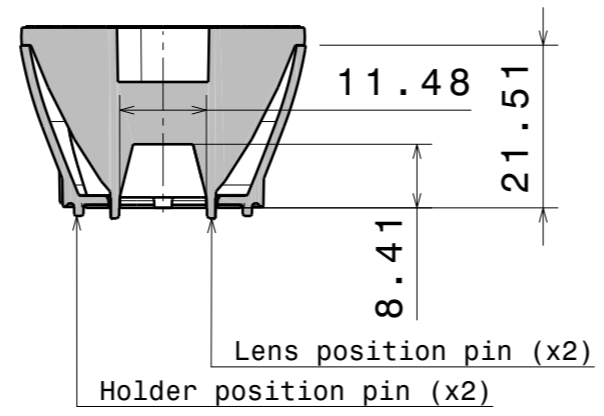
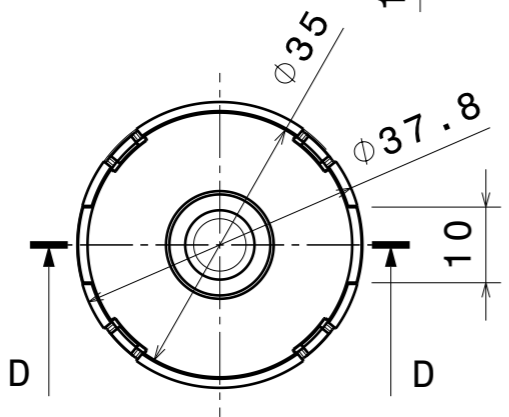
Bottom view
Scale: 1:1



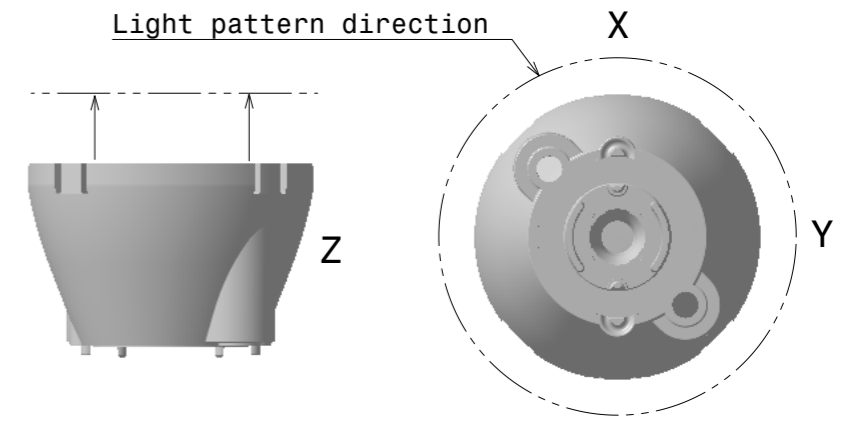
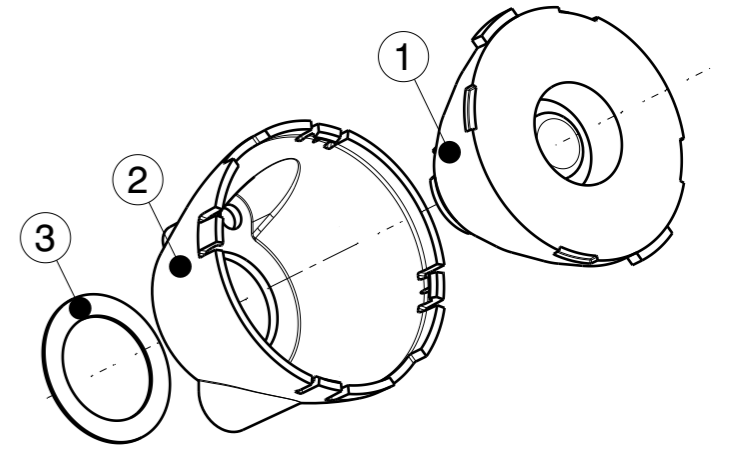
Front view
Scale: 1:1



Top view
Scale: 1:1



Section view D-D
Scale: 1:1



CA16206_SURI-RS

COMPONENTS

INDEX	PRODUCT	TYPE	MATERIAL	COLOUR/COATING
1	C16197_SURI-RS	LENS	PMMA	CLEAR
2	C16192_GABRIELLA-MIDI-HLD	HOLDER	PC	BLACK
3	C16306_GABRIELLA-MIDI-TAPE	TAPE	PU	BLACK

MECHANICAL DRAWING

PRODUCT		FIRST ANGLE PROJECTION: 	This drawing is the property of LEDiL Oy. It may not be reproduced, copied or communicated without a written agreement with LEDiL Oy.
SURi-RS			
Tolerances if not otherwise shown According to DIN ISO 2768-1 Linear measures: Up to 30mm class M, otherwise class C. According to DIN ISO 2768-2 Form and position: class L			

LEDiL[®]

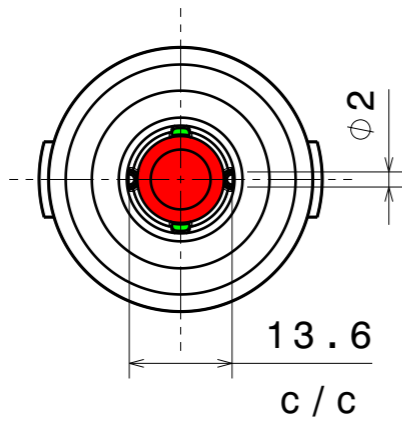
SCALE	1:1	SIZE	A3	SHEET	1/4
-------	-----	------	----	-------	-----

Notes

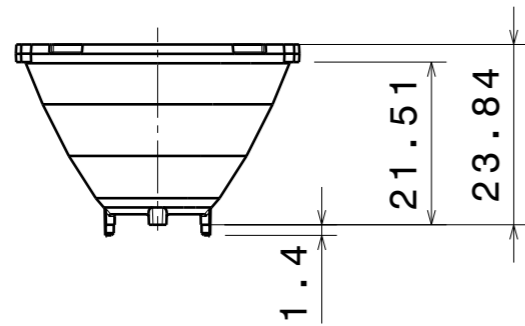
- PCB or Heat Sink level
- Led location see marking.
- Ensure LED fitting, see our web site and/or 3D model for part detail.
- See more information on page 2,3,4
- Optional parts can be shown in drawing.

H G F E D C B A

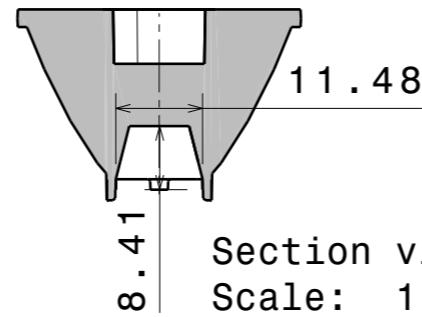
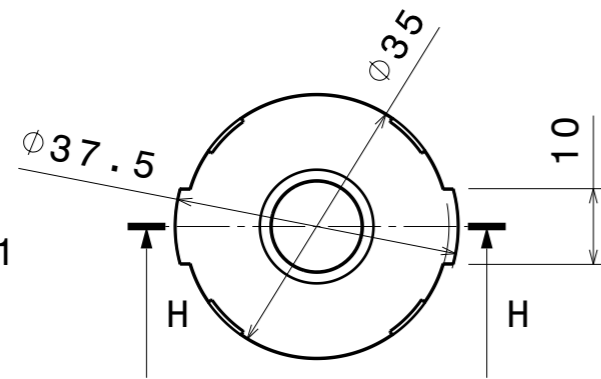
Bottom view
Scale: 1:1



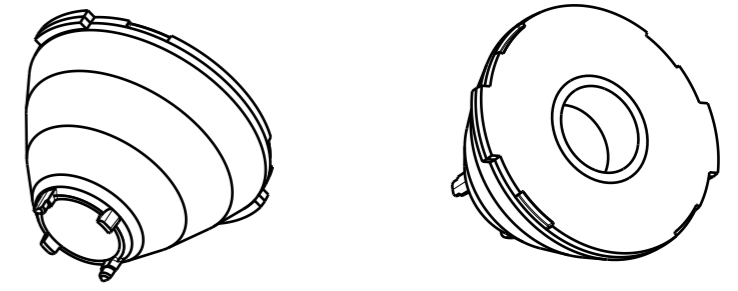
Front view
Scale: 1:1



Top view
Scale: 1:1



Section view H-H
Scale: 1:1



Isometric view
Scale: 1:1

Notes

	PCB or Heat Sink level
	Led location see marking.
	Ensure LED fitting, see our web site and/or 3D model for part detail.

COMPONENTS

INDEX	PRODUCT	TYPE	MATERIAL	COLOUR/COATING
1	C16197_SURI-RS	LENS	PMMA	CLEAR

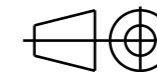
MECHANICAL DRAWING

PRODUCT
SURI-RS

LEDiL[®]

Tolerances if not otherwise shown
According to DIN ISO 2768-1
Linear measures:
Up to 30mm class M, otherwise class C.
According to DIN ISO 2768-2
Form and position: class L

FIRST ANGLE PROJECTION:

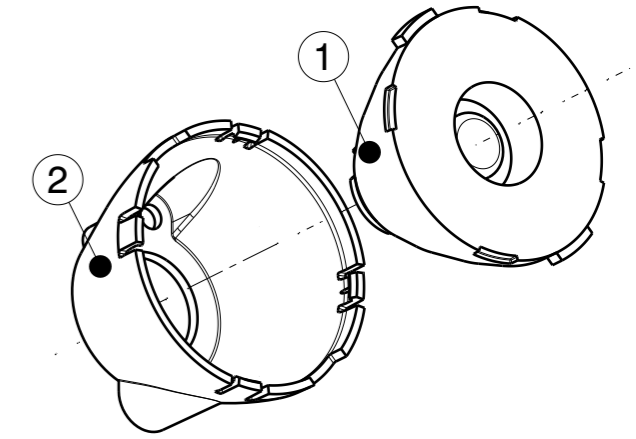
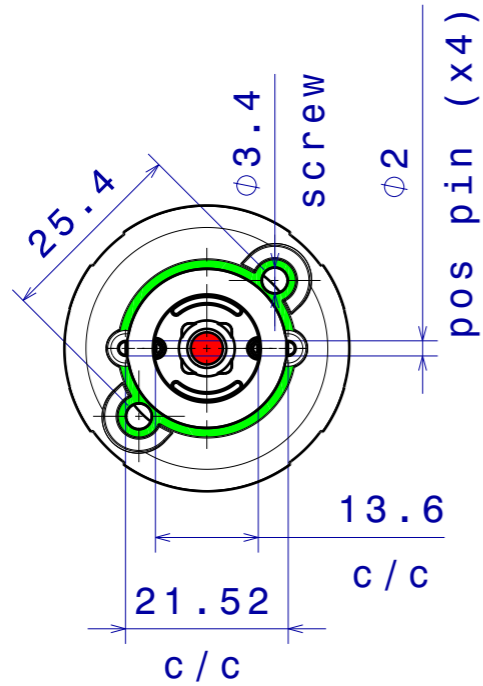


This drawing is the property of LEDiL Oy. It may not be reproduced, copied or communicated without a written agreement with LEDiL Oy.

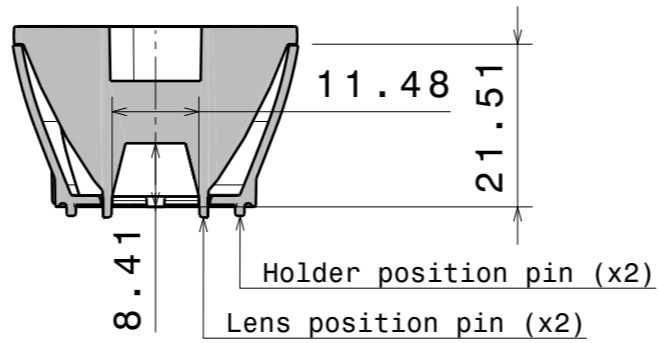
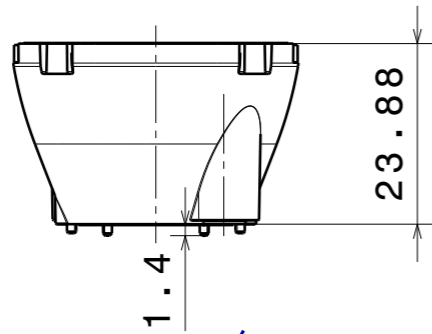
SCALE	1:1	SIZE	A3	SHEET	2/4
-------	-----	------	----	-------	-----

H G F E D C B A

Bottom view
Scale: 1:1

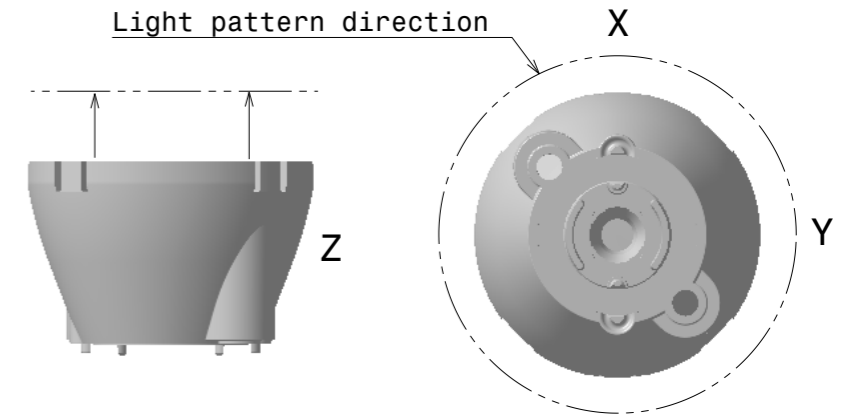
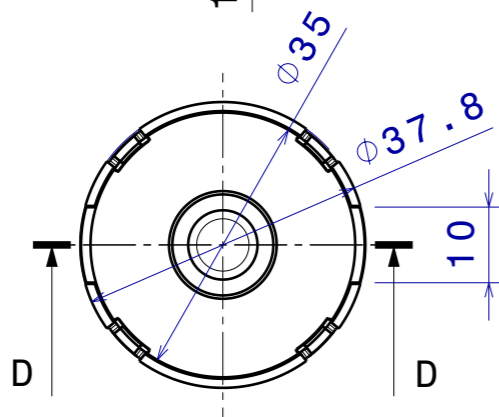


Front view
Scale: 1:1



Section view D-D
Scale: 1:1

Top view
Scale: 1:1



CN16212_SURI-RS

COMPONENTS

INDEX	PRODUCT	TYPE	MATERIAL	COLOUR/COATING
1	C16197_SURI-RS	LENS	PMMA	CLEAR
2	C16192_GABRIELLA-MIDI-HLD	HOLDER	PC	BLACK

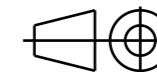
MECHANICAL DRAWING

LEDiL[®]

PRODUCT
SURI-RS

Tolerances if not otherwise shown
According to DIN ISO 2768-1
Linear measures:
Up to 30mm class M, otherwise class C.
According to DIN ISO 2768-2
Form and position: class L

FIRST ANGLE PROJECTION:



This drawing is the property of LEDiL Oy. It may not be reproduced, copied or communicated without a written agreement with LEDiL Oy.

SCALE 1:1 SIZE A3 SHEET 3/4

H G F E D C B A

4

4

3

3

2

2

1

1

Notes

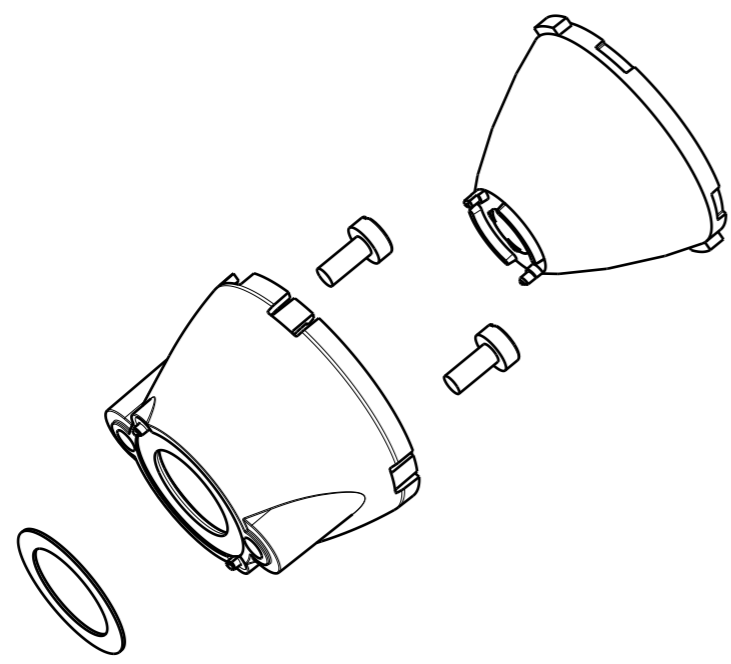
●	PCB or Heat Sink level
●	Led location see marking.
	Ensure LED fitting, see our web site and/or 3D model for part detail.

4

3

2

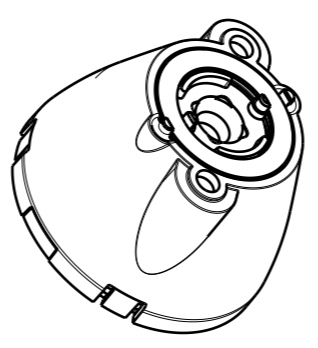
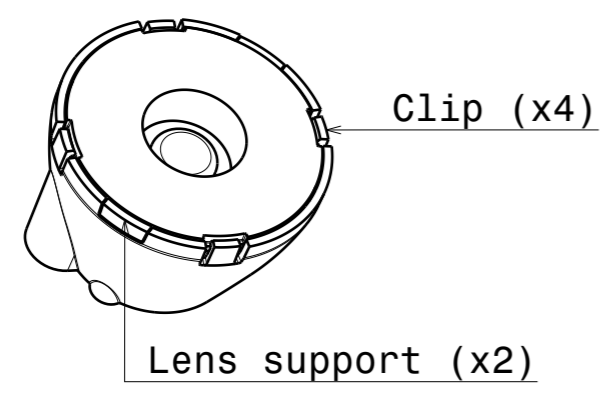
1

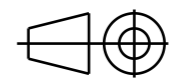


1. Place holder on PCB using the holder location pins as guide elements. Holder is fixed either by with on-board PU-tape or M3 screw with max 0.6Nm torque.

2. Place lens support features into relative holes in the holder, please note that the location pins on the lens goes through the PCB.

3. Press optic until 4 clips each locked.



MECHANICAL DRAWING		LEDiL[®]
PRODUCT SURI-RS		
Tolerances if not otherwise shown According to DIN ISO 2768-1 Linear measures: Up to 30mm class M, otherwise class C. According to DIN ISO 2768-2 Form and position: class L	FIRST ANGLE PROJECTION: 	This drawing is the property of LEDiL Oy. It may not be reproduced, copied or communicated without a written agreement with LEDiL Oy.
SCALE 1:1	SIZE A3	

4

3

2

1