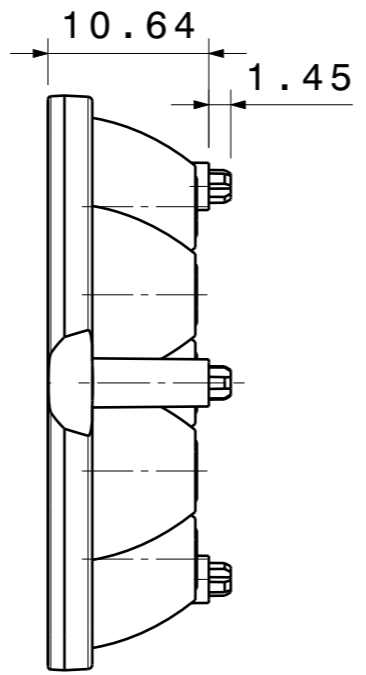
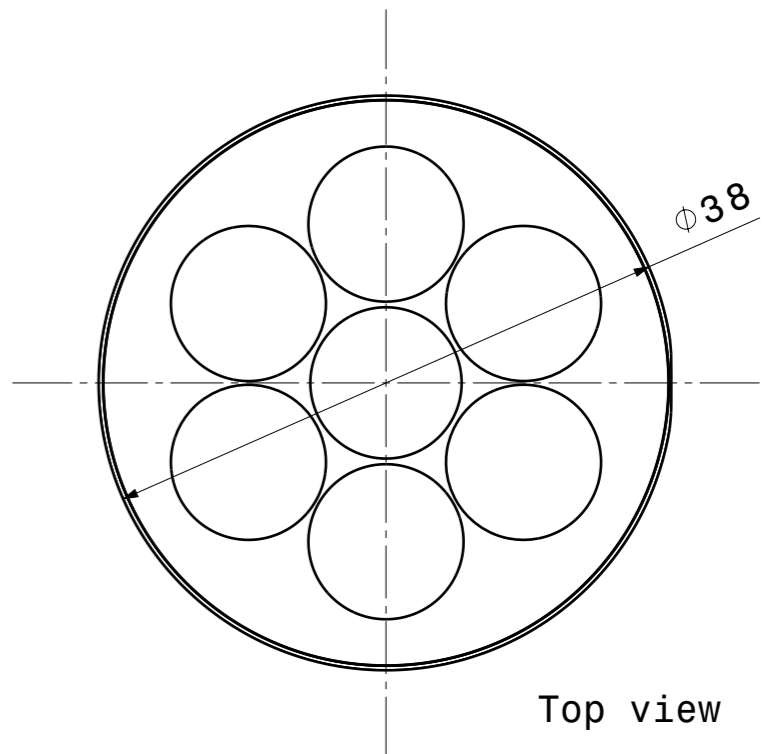


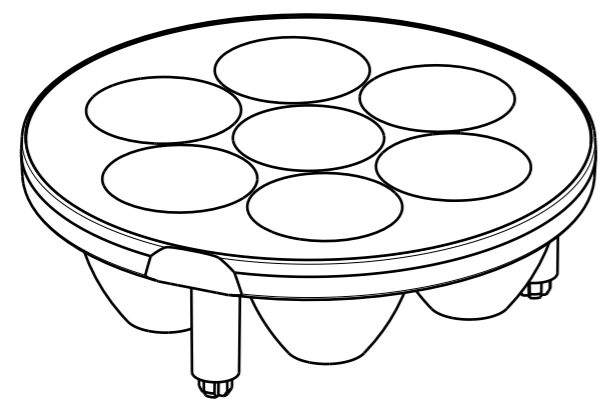
Bottom view



Front view



Top view



Isometric view

PART	TYPE	MATERIAL	COLOR / COATING
C11232_RER-7-MD	LENS	PMMA	CLEAR

<b>MECHANICAL DRAWING</b>		<b>LEDiL®</b>
PRODUCT <b>TAMPA</b>		
Plastic moulding general tolerances according to DIN 16901-130 and applies if not otherwise shown in the drawing. Silicone moulding general tolerances according to ISO 3302-1 Class M3 and applies if not otherwise shown in the drawing.	FIRST ANGLE PROJECTION: 	This drawing is the property of LEDiL Oy. It may not be copied or otherwise distributed without prior written permission from LEDiL Oy.
SCALE 2:1	WEIGHT -	A3 SHEET 1/1

**Notes**

LED location
Ensure LED fitting from a product specific 3D model available from <a href="http://www.ledil.com">www.ledil.com</a>
For more details about installation please see LEDiL Installation Guide on <a href="http://www.ledil.com">www.ledil.com</a>