

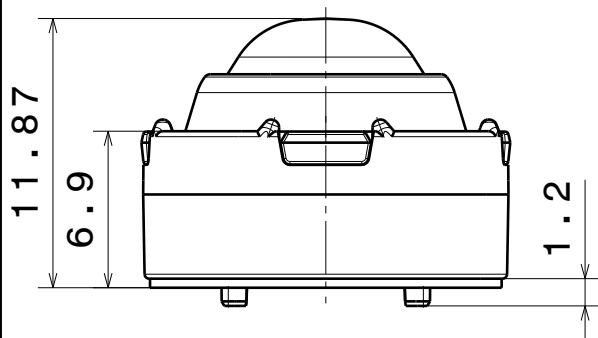
D

C

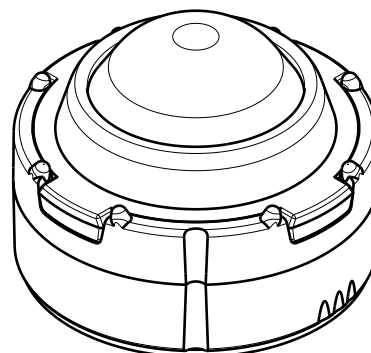
B

A

4

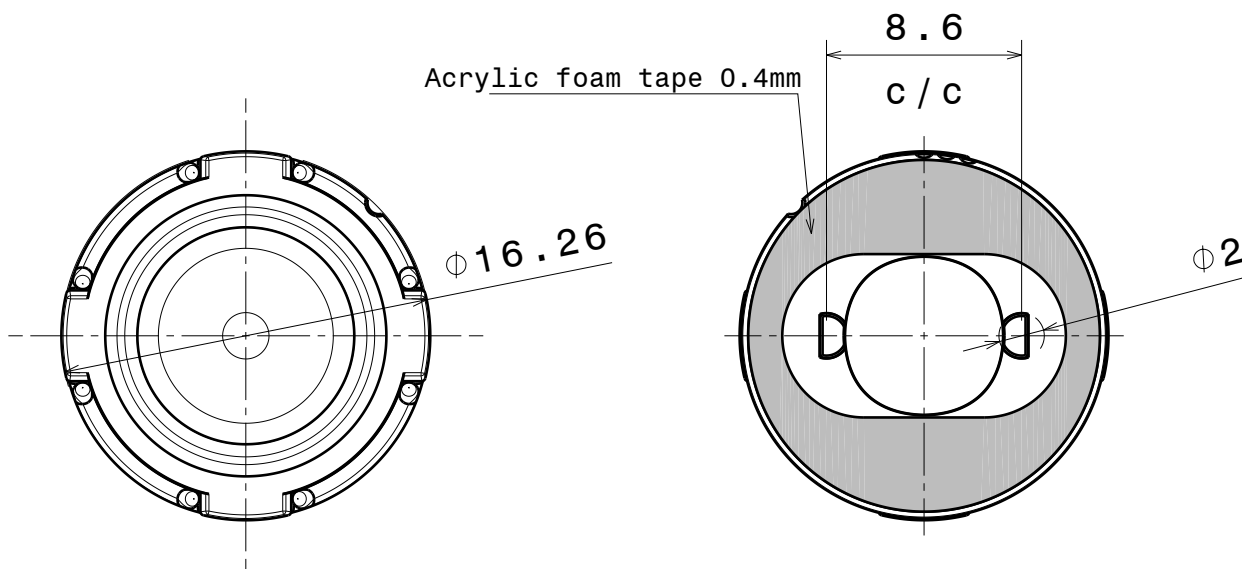


Front view

Isometric view
Scale: 3:1

3

3



Top view

Bottom view

2

2

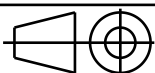
INDEX	PART NO	DESCRIPTION	MATERIAL	COLOUR
1	F11823	TINA3-HLD-PIN-TAPE-XP	PC	white
2	F11872	TINA3-S	PMMA	
3	F11840	TINA-TAPE3	Acrylic foam	black

Tolerances if not otherwise shown
According to DIN ISO 2768-1
Linear measures:
Up to 30mm class M, otherwise class C.
According to DIN ISO 2768-2
Form and position: class L

LEDiL

Ledil Oy
Salorankatu 10
FIN 24240 SALO
Finland

THIRD ANGLE PROJECTION:



DRAWING TITLE

FA11905_TINA3-S

This drawing is the property
of LEDiL Oy. It may not be
reproduced, copied or
communicated without a written
agreement with LEDiL Oy.

SIZE PART NUMBER

A4

FA11905

SCALE

3:1

WEIGHT

1,7 g

SHEET

1/1

1

1

D

A