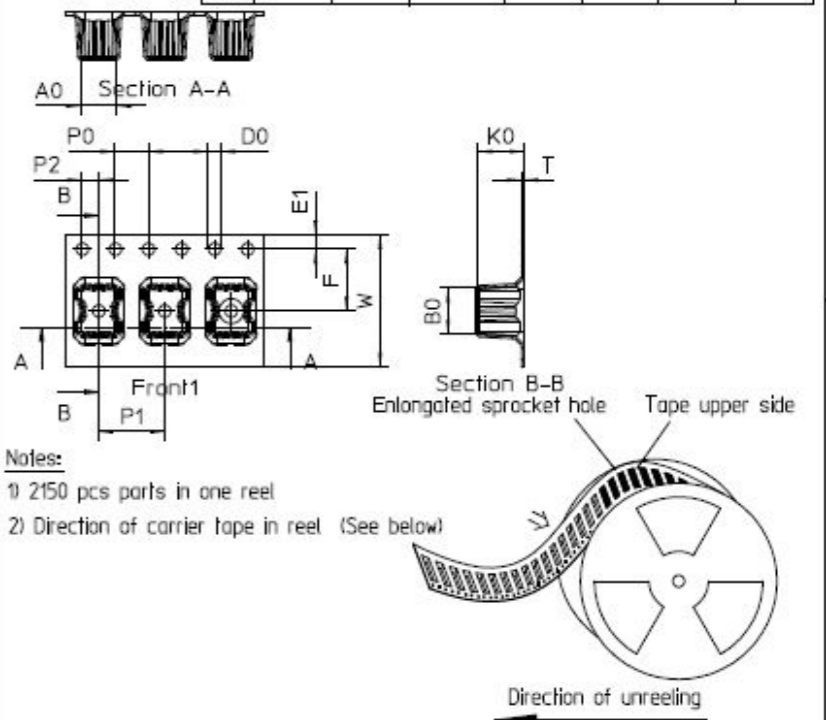


DATE
13.08.2020

PACKAGING INFORMATION (TAPE & REEL AVAILABLE)

Symbol	Ao	Bo	Ko	Po	P1	P2	T
Spec	4.42	5.22	5.5 ^{+0.15} _{-0.05}	4.0±0.10	8.0±0.10	2.0±0.10	0.30±0.05
Symbol	E1	F	Do	w	10Po		
Spec	1.75±0.10	7.5±0.15	1.50 ^{+0.10} _{-0.00}	16.0±0.3	40.0±0.20		

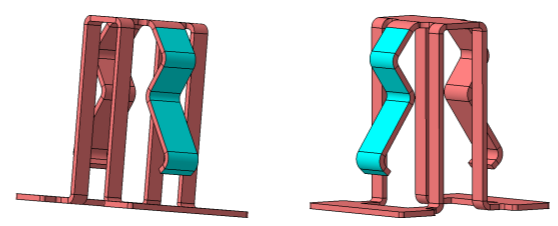


Notes:
1) 2150 pcs parts in one reel
2) Direction of carrier tape in reel (See below)

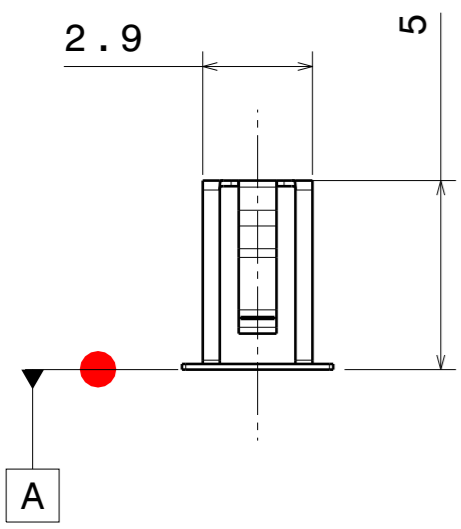
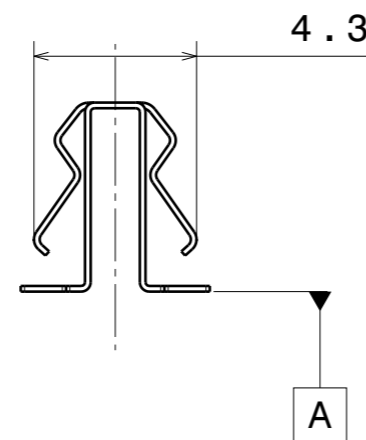
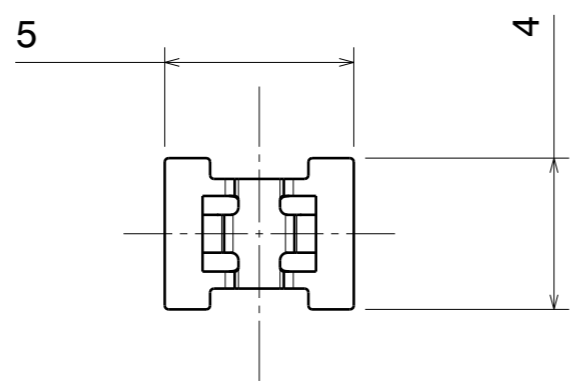
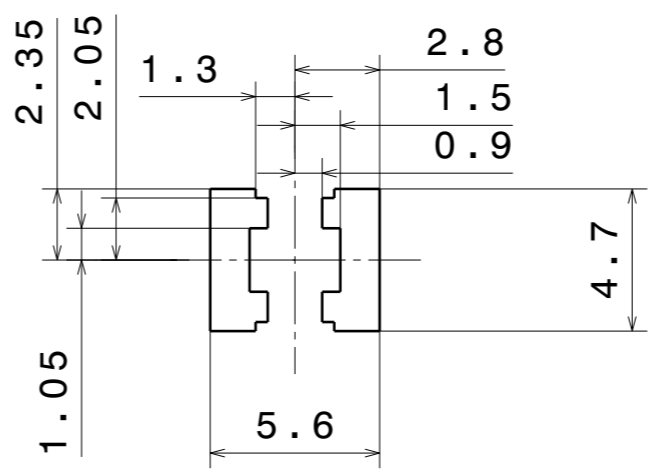
NOTES
 1 TO DEFINE EXACT PART NUMBER SEE PLATING TABLE UNDERNEATH
 2 MATERIAL: AISI_301, Rm=800-1000MPa, thickness 0,15mm.

PLATING TABLE	um Sn	um Ni
F17250_Solder_Clip	3	1-2
Part number	Solder area	Under coating

PART	TYPE	MATERIAL	COLOR / COATING
F17250_SOLDER-CLIP-A		AISI301	Ni+Sn coating



Recommended PAD design



Notes
 ● PCB or heatsink level.
 ● LED location
 Ensure LED fitting from a product specific 3D model available from www.ledil.com
 For more details about installation please see LEDiL Installation Guide on www.ledil.com

MECHANICAL DRAWING		LEDiL [®]
PRODUCT SOLDER CLIP		
Plastic moulding general tolerances according to DIN 16901-130 and applies if not otherwise shown in the drawing. Silicone moulding general tolerances according to ISO 3302-1 Class M3 and applies if not otherwise shown in the drawing.	FIRST ANGLE PROJECTION: 	This drawing is the property of LEDiL Oy. It may not be copied or otherwise distributed without prior written permission from LEDiL Oy.
SCALE 1:1	WEIGHT -	A3 SHEET 1/1