

D

C

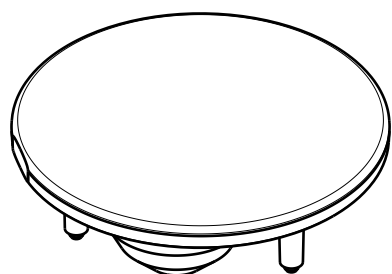
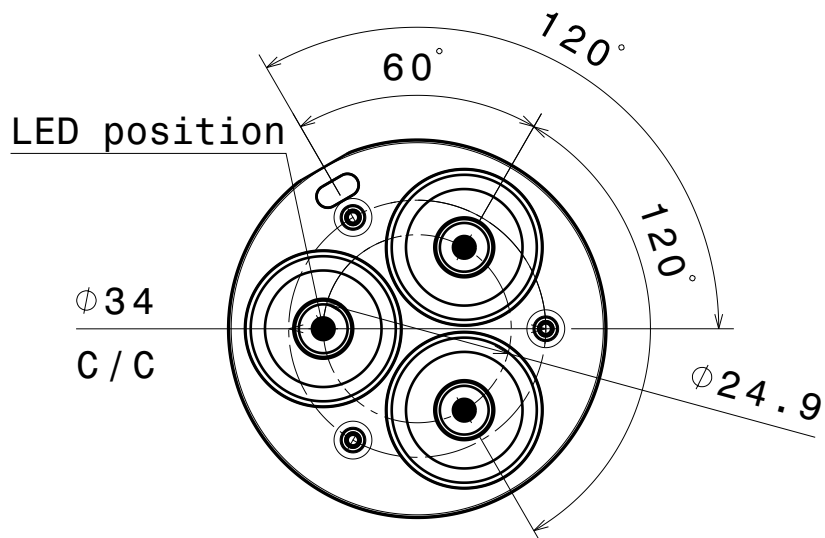
B

A

DATE

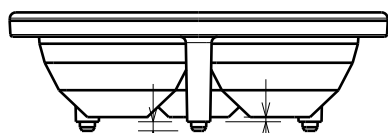
12.07.2018

Bottom view



Isometric view
Scale: 1:1

Front view

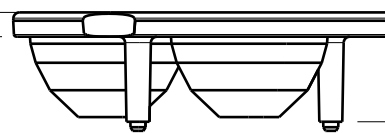


1.2

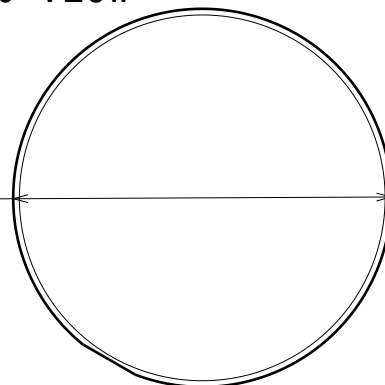
0.6

3.2

14.5



Top view

 $\phi 49.96$ 

PART	TYPE	MATERIAL	COLOR / COATING
C12150_TUIJA-3-M2	LENS	PMMA	CLEAR

MECHANICAL DRAWING

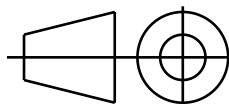
PRODUCT

TUIJA

LEDiL[®]

Plastic moulding general tolerances according to DIN 16901-130 and applies if not otherwise shown in the drawing.
Silicone moulding general tolerances according to ISO 3302-1 Class M3 and applies if not otherwise shown in the drawing.

FIRST ANGLE PROJECTION:



This drawing is the property of LEDiL Oy. It may not be copied or otherwise distributed without prior written permission from LEDiL Oy.

SCALE

1:1

WEIGHT

-

A4

SHEET 1/1

D

A