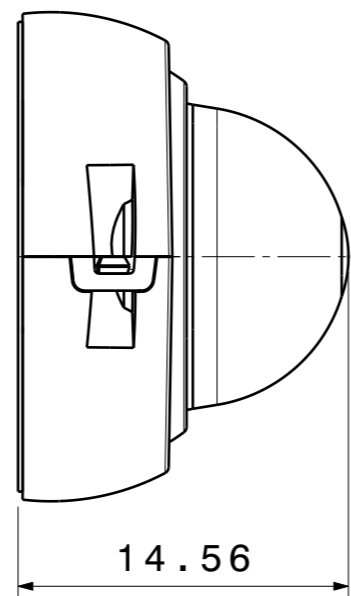
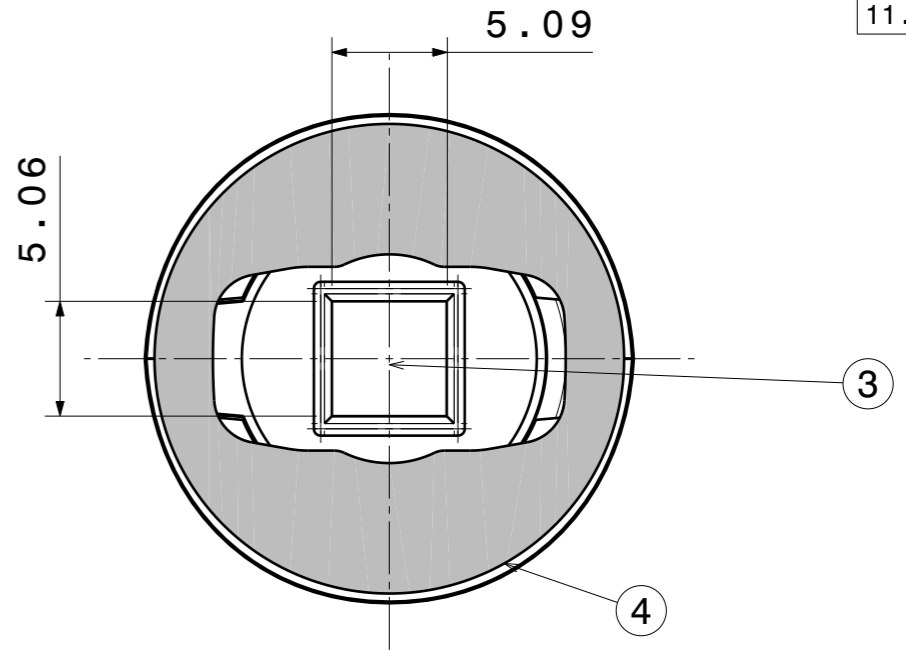


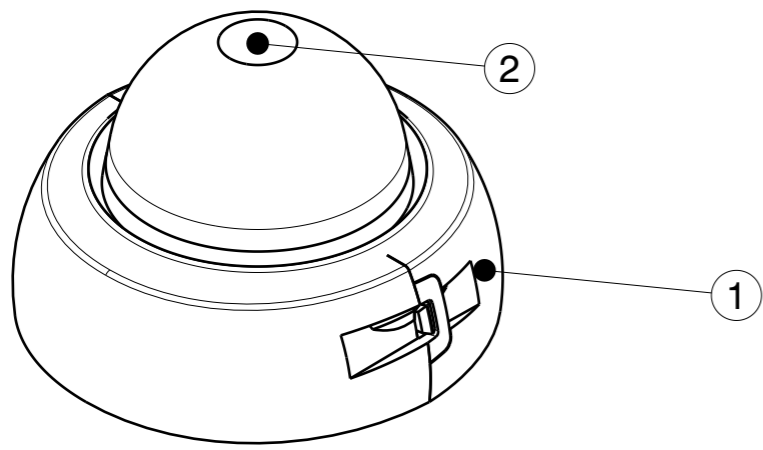
Top view



Front view



Bottom view



Isometric view

INDEX	PART	TYPE	MATERIAL	COLOR / COATING
1	Twiddle-A-holder_10721_mechModel_	HOLDER	PC	BLACK
2	Twiddle-A-outer-lens_F10724_mechModel_	LENS	PMMA	CLEAR
3	Twiddle-N083-inner-lens_F10725_mech_Model_	LENS	PMMA	CLEAR
4	3F10657_LEILA-TAPE	TAPE	PU FOAM	BLACK

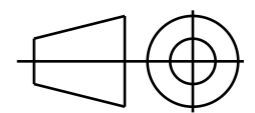
MECHANICAL DRAWING

PRODUCT **FA10736_TWIDDLE-M**

LEDiL®

Plastic moulding general tolerances according to DIN 16901-130 and applies if not otherwise shown in the drawing. Silicone moulding general tolerances according to ISO 3302-1 Class M3 and applies if not otherwise shown in the drawing.

FIRST ANGLE PROJECTION:



This drawing is the property of LEDiL Oy. It may not be copied or otherwise distributed without prior written permission from LEDiL Oy.

SCALE **3:1**

WEIGHT -

A3 SHEET 1/1

Notes

- LED location
- Ensure LED fitting from a product specific 3D model available from www.ledil.com
- For more details about installation please see LEDiL Installation Guide on www.ledil.com