

D

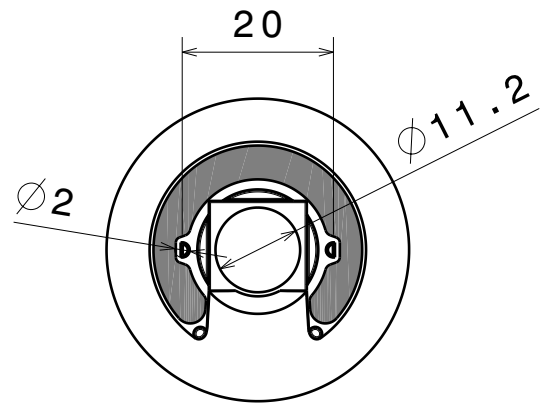
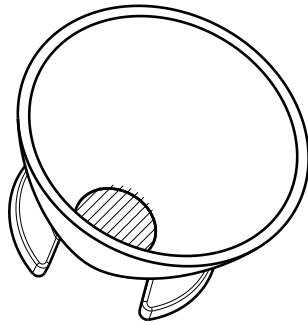
C

B

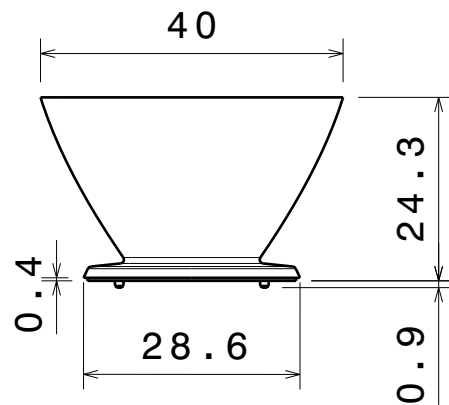
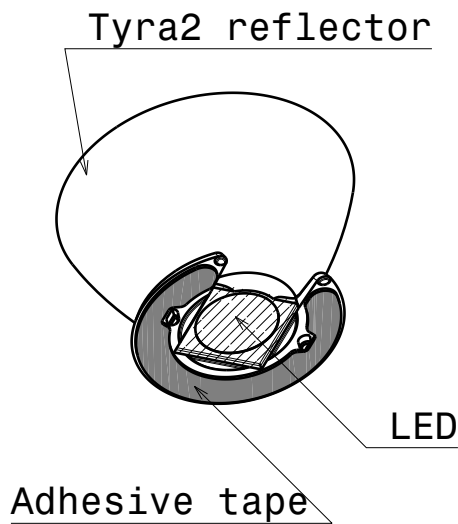
A

DATE

23.01.2019



Bottom view



Front view

PART	TYPE	MATERIAL	COLOR / COATING
TYRA2	REFLECTOR	PC	METAL / HMDS
C11471_TYRA2-TAPE	TAPE		

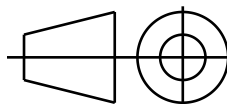
**MECHANICAL DRAWING**

PRODUCT

**TYRA2****LEDiL**®

Plastic moulding general tolerances according to DIN 16901-130 and applies if not otherwise shown in the drawing.  
Silicone moulding general tolerances according to ISO 3302-1 Class M3 and applies if not otherwise shown in the drawing.

FIRST ANGLE PROJECTION:



This drawing is the property of LEDiL Oy. It may not be copied or otherwise distributed without prior written permission from LEDiL Oy.

SCALE

1:1

WEIGHT

-

A4

SHEET 1/1

D

A