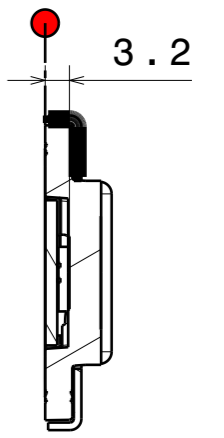
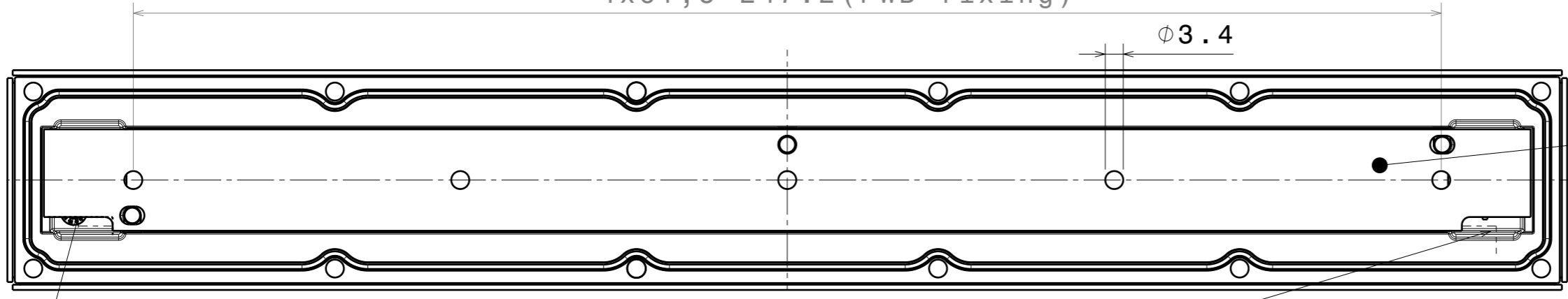


Scale: 1:1
4x61,8=247.2 (PWB fixing)



Scale: 1:1

Violet-12x1_Mechanical model
COMPONENTS

Scale: 1:1
Section A-A

INDEX	PART	TYPE	MATERIAL	COLOR / COATING
1	F17191._VIOLET-12x1-S Mechanical model			
2	Violet_PCB_			
3	F17192_VIOLET-12x1-FRAME Mechanical Model			

Leads through cooling profile

MECHANICAL DRAWING		LEDiL [®]
PRODUCT FN17294_VIOLET-12x1-S		
Plastic moulding general tolerances according to DIN 16901-130 and applies if not otherwise shown in the drawing. Silicone moulding general tolerances according to ISO 3302-1 Class M3 and applies if not otherwise shown in the drawing.	FIRST ANGLE PROJECTION: 	This drawing is the property of LEDiL Oy. It may not be copied or otherwise distributed without prior written permission from LEDiL Oy.
SCALE 1:1	WEIGHT 90 g	A3 SHEET 1/1

Notes

	PCB or heatsink level.
	LED location
	Ensure LED fitting from a product specific 3D model available from www.ledil.com
	For more details about installation please see LEDiL Installation Guide on www.ledil.com