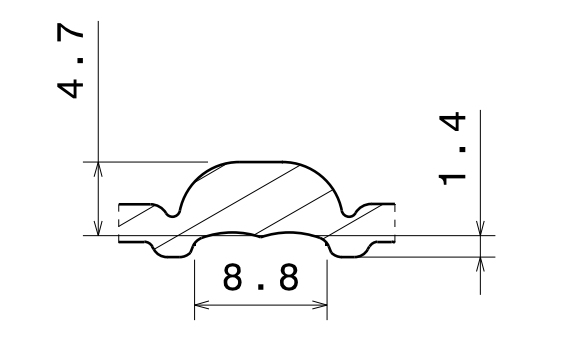
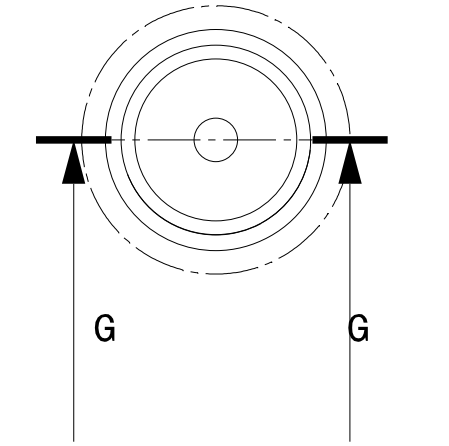


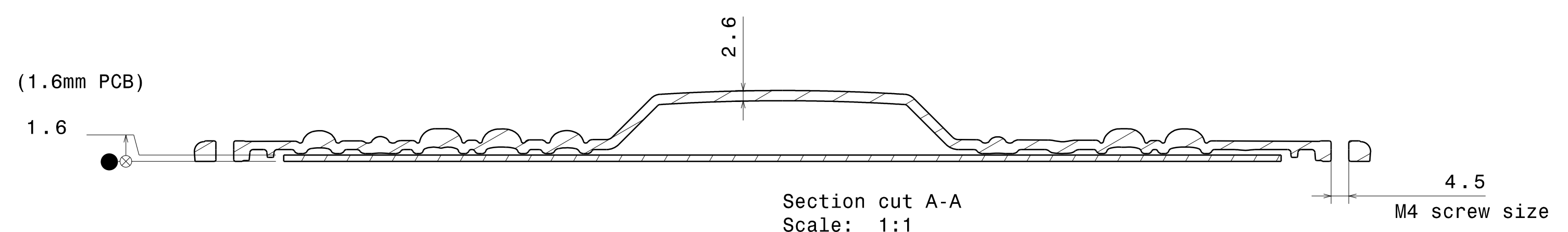
Bottom view
Scale: 1:1



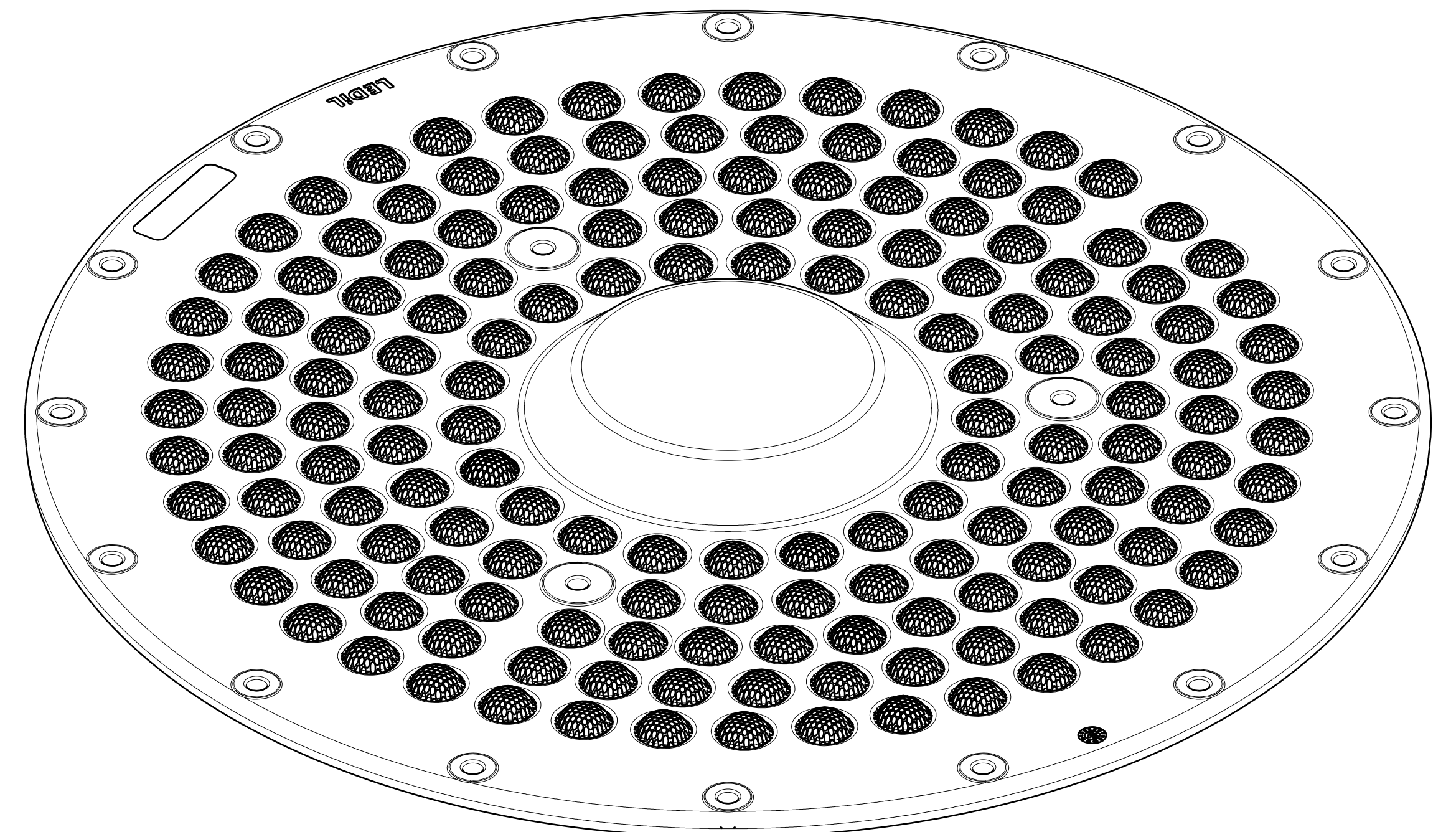
Section cut G-G
Scale: 2:1



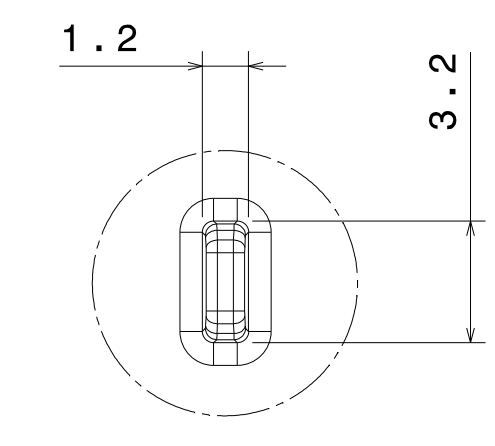
Detail F
Scale: 2:1



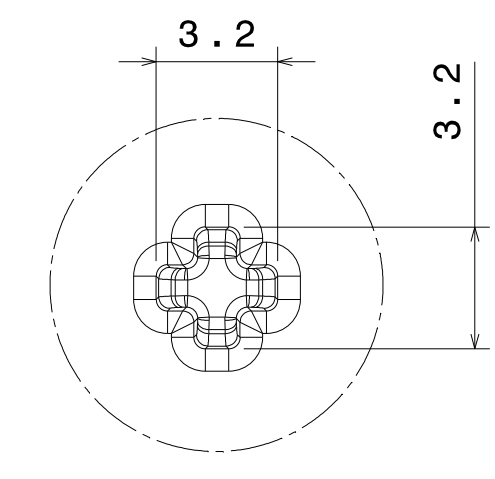
Section cut A-A
Scale: 1:1



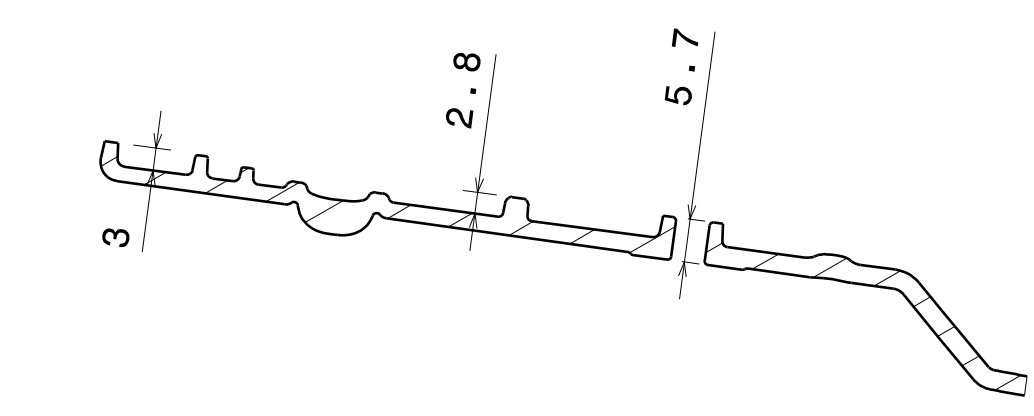
Isometric view
Scale: 1:1



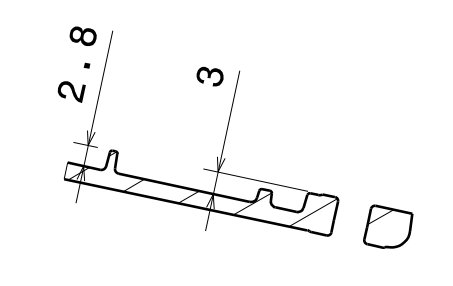
Detail C
Scale: 5:1



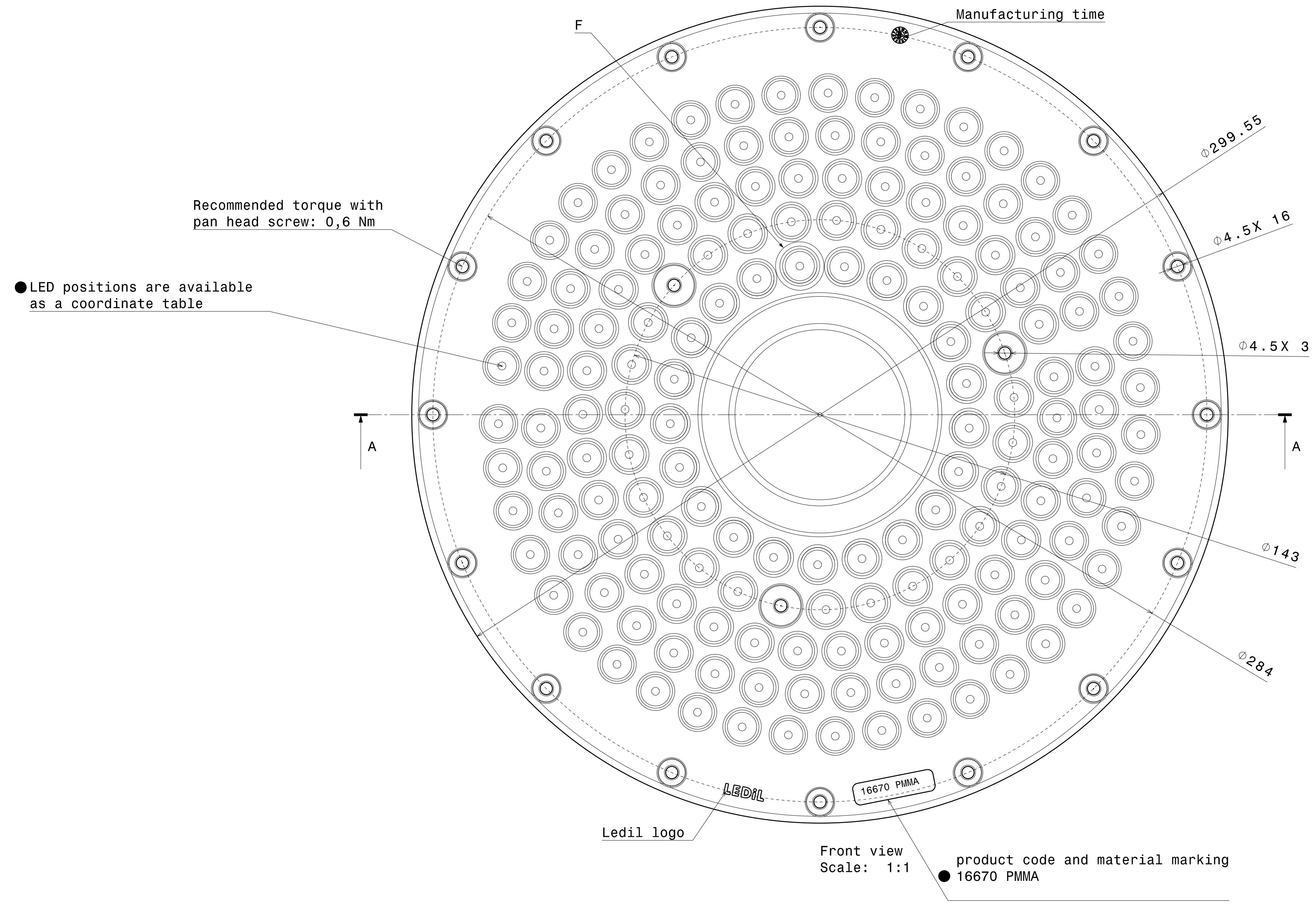
Detail B
Scale: 5:1



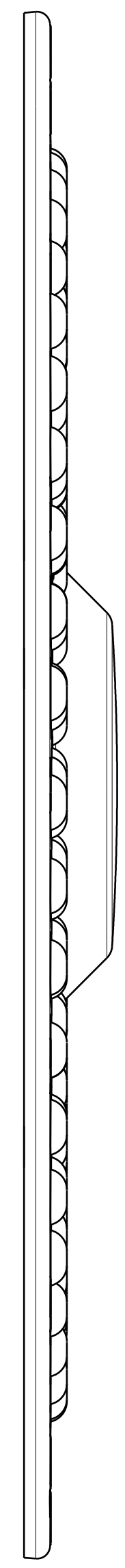
Section cut D-D
Scale: 1:1



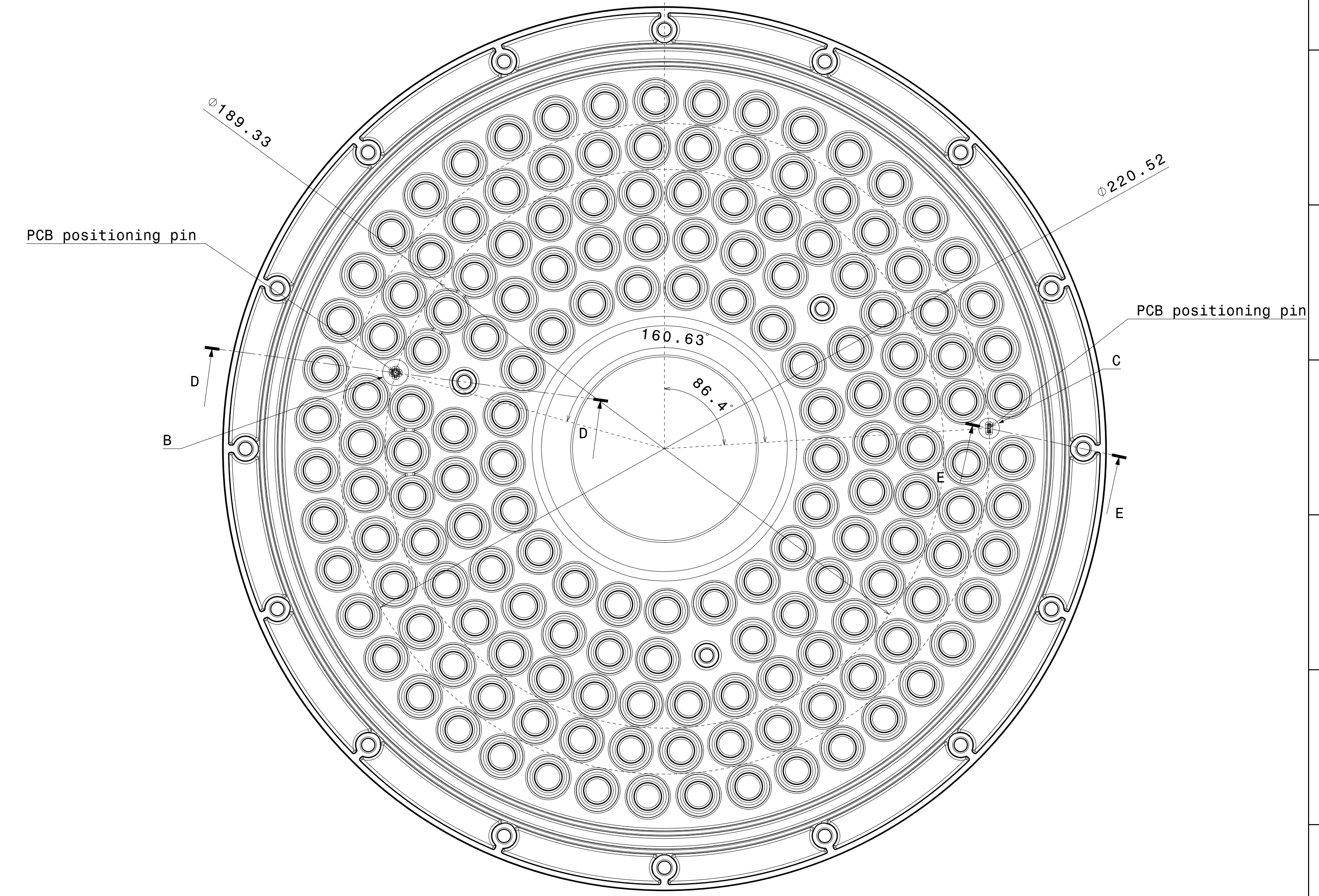
Section cut E-E
Scale: 1:1



Front view
Scale: 1:1



Left view
Scale: 1:1



Rear view
Scale: 1:1

LED positions are available as a coordinate table

Recommended torque with pan head screw: 0,6 Nm

Notes
 ● PCB or heatsink level.
 ● LED location
 Ensure LED fitting from a product specific 3D model available from www.ledil.com
 For more details about installation please see LEDiL Installation Guide on www.ledil.com

PART	C16670_Victoria-W	TYPE/MATERIAL	HB-W/PMMA 8N	COLOR / COATING	Clear
PRODUCT	VICTORIA				
MECHANICAL DRAWING	FIRST ANGLE PROJECTION:				
SCALE	1:1	WEIGHT	230g	A0	SHEET 1/1