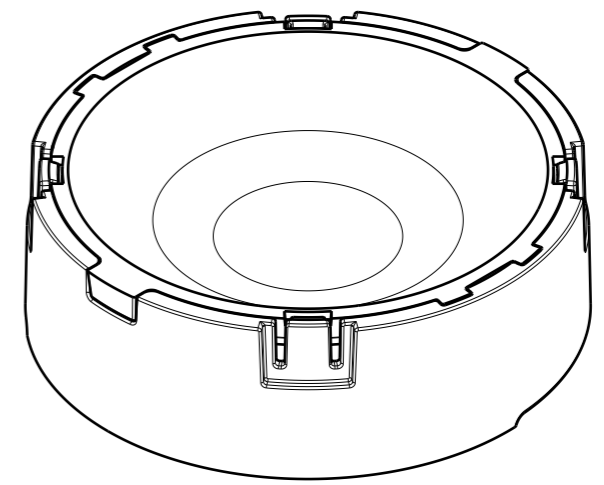
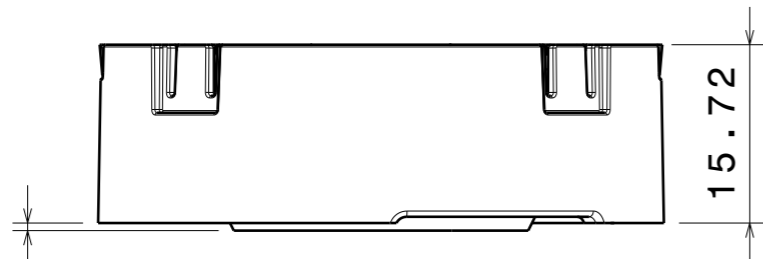


Bottom view



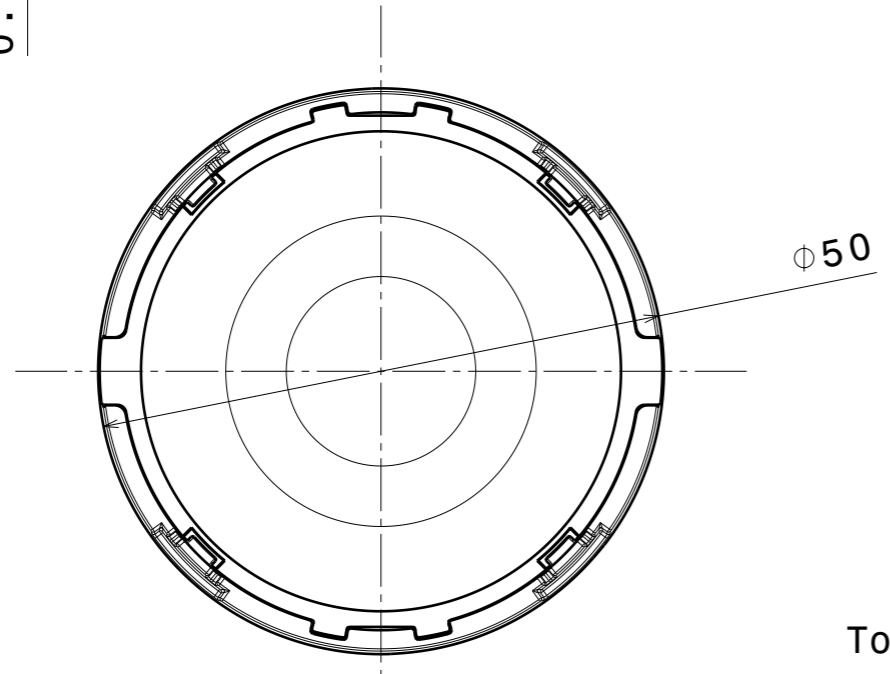
Isometric view



Front view

0.67

15.72



Top view

∅50

CN16191\_WINNIE-WW-C  
**COMPONENTS**

INDEX	PART	TYPE	MATERIAL	COLOR / COATING
1	C15821_WINNIE-HLD-C	HOLDER	PC	black
2	C16189.1_WINNIE-WW	LENS	PMMA	clear

<b>MECHANICAL DRAWING</b>		<b>LEDiL</b> <sup>®</sup>
PRODUCT	WINNIE	
Plastic moulding general tolerances according to DIN 16901-130 and applies if not otherwise shown in the drawing. Silicone moulding general tolerances according to ISO 3302-1 Class M3 and applies if not otherwise shown in the drawing.	FIRST ANGLE PROJECTION: 	This drawing is the property of LEDiL Oy. It may not be copied or otherwise distributed without prior written permission from LEDiL Oy.
SCALE 3:2	WEIGHT 18.81g	A3 SHEET 1/1

**Notes**

	PCB or heatsink level.
	LED location
	Ensure LED fitting from a product specific 3D model available from <a href="http://www.ledil.com">www.ledil.com</a>
	For more details about installation please see LEDiL Installation Guide on <a href="http://www.ledil.com">www.ledil.com</a>