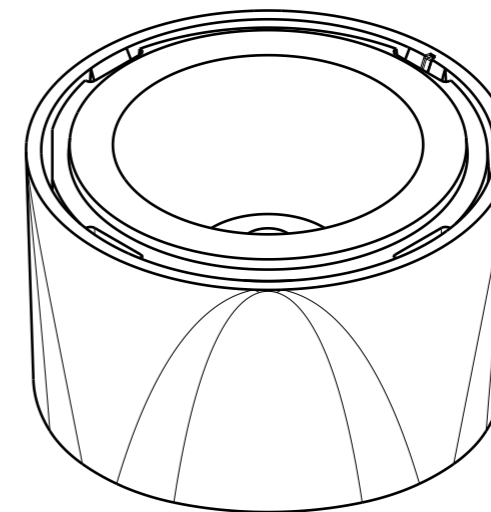
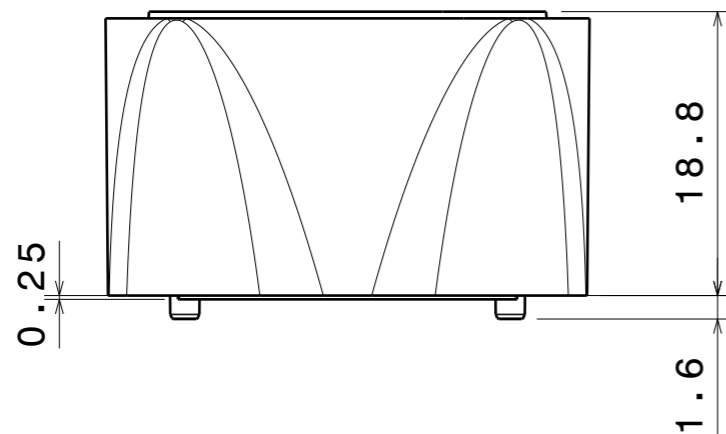


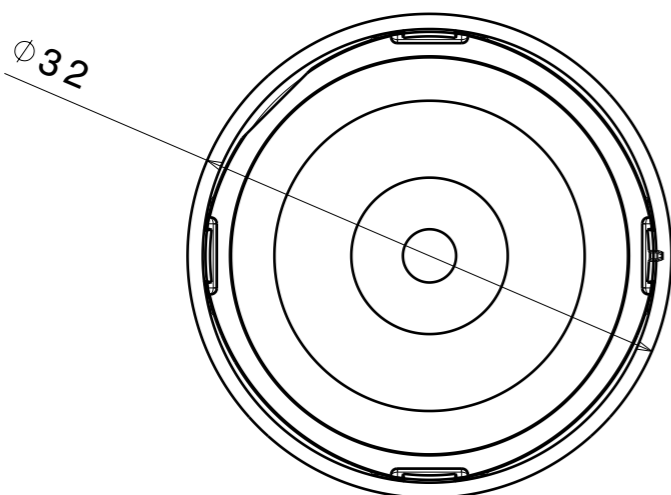
Bottom view



Isometric view



Front view



Top view

C17180_YASMEEN-30-RS

INDEX	PART NO	DESCRIPTION	MATERIAL	COLOUR
1	C17180_YASMEEN-30-RS	LENS	PMMA	clear
2	C16126_OLGA-HLD	HOLDER	PC	black
3	C15177_SPUTNIK-TAPE3	TAPE		black

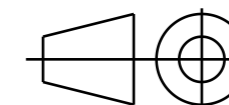
MECHANICAL DRAWING

PRODUCT
YASMEEN

LEDiL®

Plastic moulding general tolerances according to DIN 16901-130 and applies if not otherwise shown in the drawing.
Silicone moulding general tolerances according to ISO 3302-1 Class M3 and applies if not otherwise shown in the drawing.

FIRST ANGLE PROJECTION:



This drawing is the property of LEDiL Oy. It may not be copied or otherwise distributed without prior written permission from LEDiL Oy.

SCALE 2:1

WEIGHT -

A3 SHEET 1/1