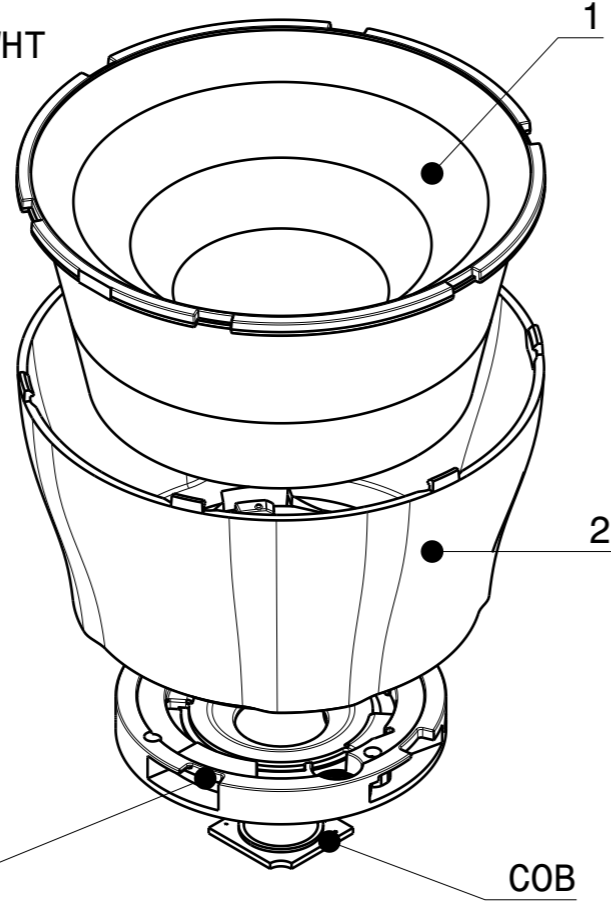
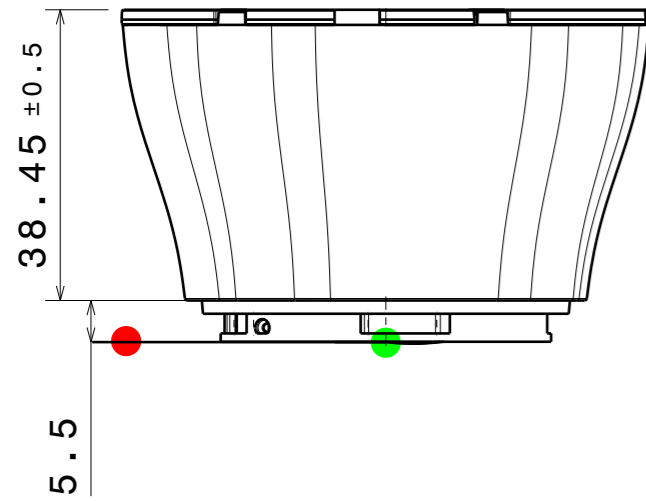
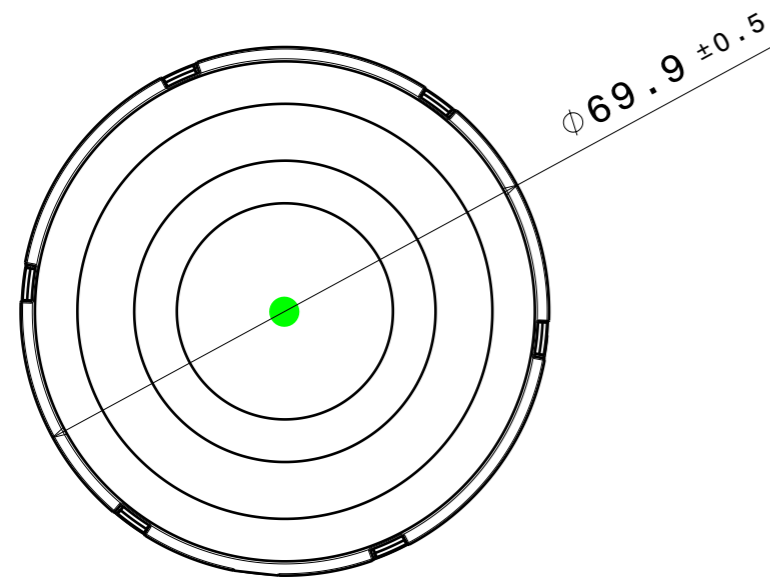
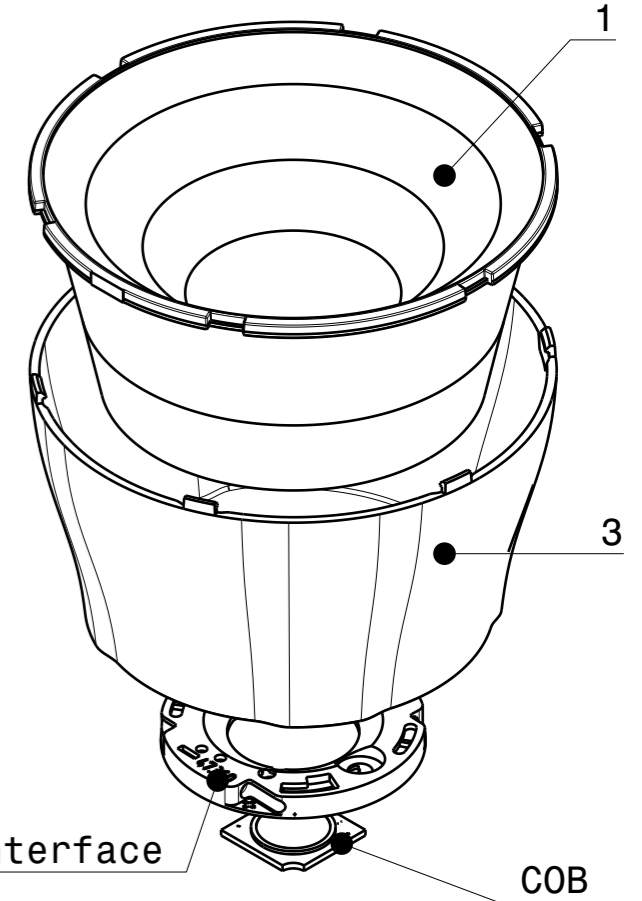
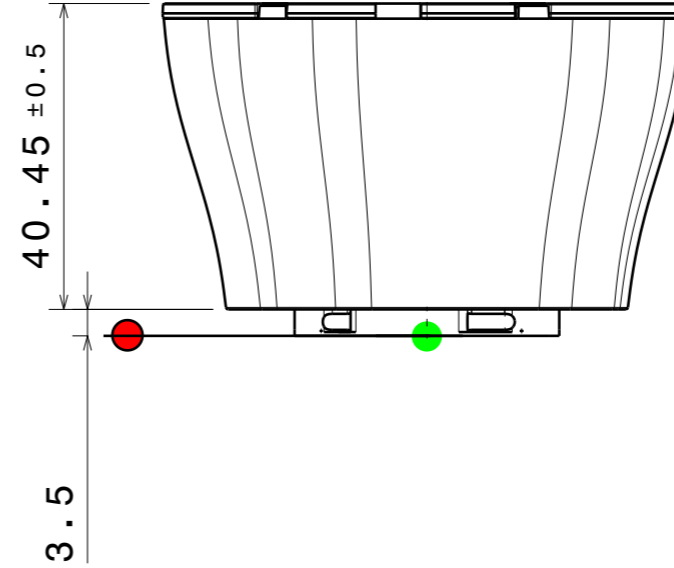


CP18764_YASMEEN-70-WW-C2
 CP18778_YASMEEN-70-WW-C2-WHT



CP18771_YASMEEN-70-WW-B2
 CP18785_YASMEEN-70-WW-B2-WHT



Top view
 Scale: 1:1

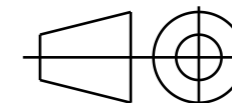
INDEX	PART	TYPE	QTY	MATERIAL	COLOUR/COATING	ASSEMBLY CODES
1	C17241_YASMEEN-70-WW	LENS	1	PMMA	CLEAR	
2	HOLDER C	HOLDER 1				
	C18692_YASMEEN-70-HLD2-C			PC	BLACK	CP18764_YASMEEN-70-WW-C2
	C18700_YASMEEN-70-HLD2-C-WHT			PC	WHITE	CP18778_YASMEEN-70-WW-C2-WHT
3	HOLDER B					
	C18693_YASMEEN-70-HLD2-B			PC	BLACK	CP18771_YASMEEN-70-WW-B2
	C18701_YASMEEN-70-HLD2-B-WHT			PC	WHITE	CP18785_YASMEEN-70-WW-B2-WHT

MECHANICAL DRAWING

PRODUCT
YASMEEN-70-WW

Plastic moulding general tolerances according to DIN 16901-130 and applies if not otherwise shown in the drawing.
 Silicone moulding general tolerances according to ISO 3302-1 Class M3 and applies if not otherwise shown in the drawing.

FIRST ANGLE PROJECTION:



LEDiL

This drawing is the property of LEDiL Oy. It may not be copied or otherwise distributed without prior written permission from LEDiL Oy.

SCALE 1:1

WEIGHT -

A3 SHEET 1/1

Notes

- PCB or heatsink level.
- LED location
- Ensure LED fitting from a product specific 3D model available from www.ledil.com
- For more details about installation please see LEDiL Installation Guide on www.ledil.com

H G F E D C B A

4

3

2

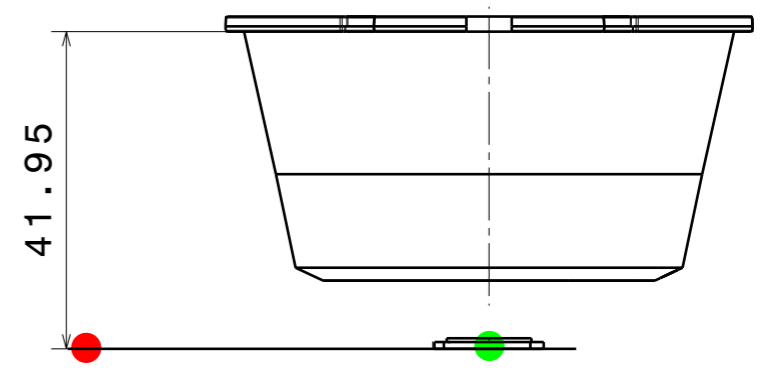
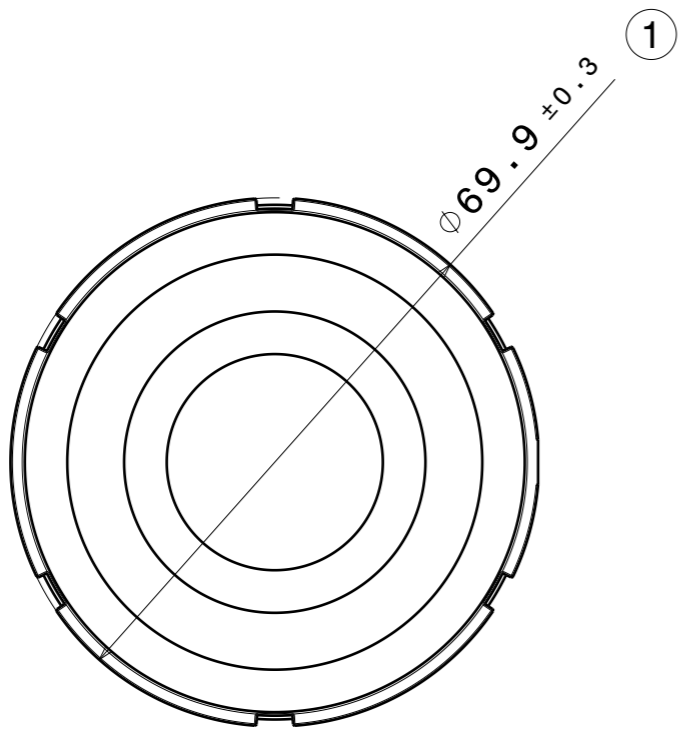
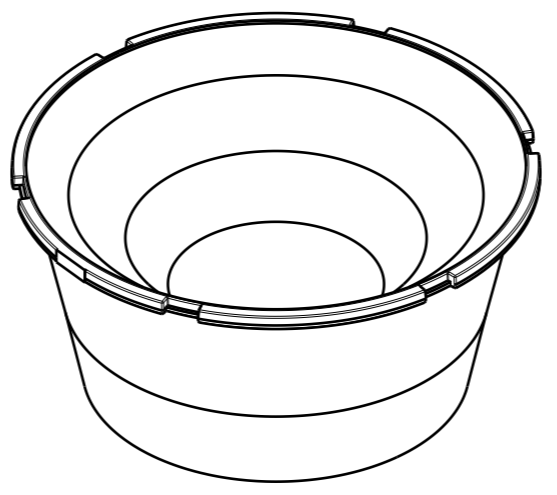
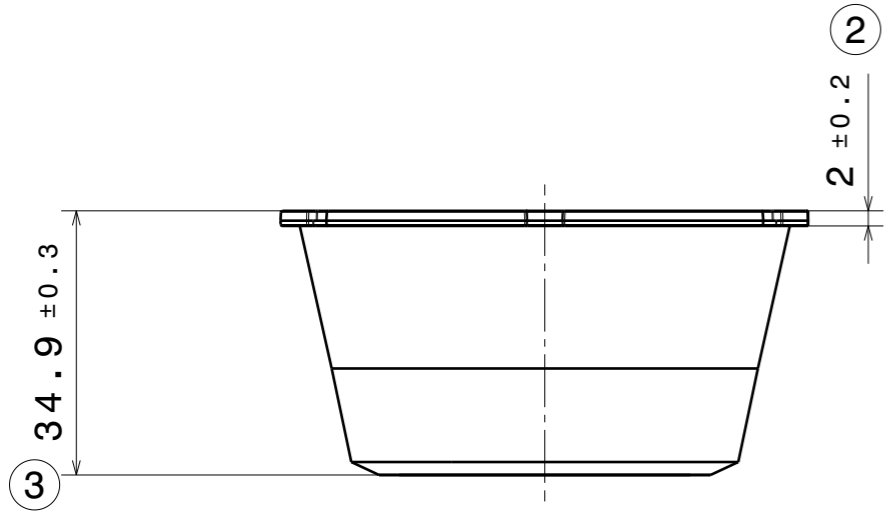
1

4

3

2

1



PART	TYPE	MATERIAL	COLOR / COATING
C17241_YASMEEN-70-WW	LENS	PMMA	CLEAR

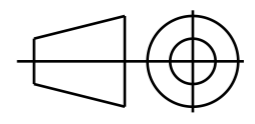
MECHANICAL DRAWING

PRODUCT **YASMEEN-70-WW**

LEDiL

Plastic moulding general tolerances according to DIN 16901-130 and applies if not otherwise shown in the drawing. Silicone moulding general tolerances according to ISO 3302-1 Class M3 and applies if not otherwise shown in the drawing.

FIRST ANGLE PROJECTION:



This drawing is the property of LEDiL Oy. It may not be copied or otherwise distributed without prior written permission from LEDiL Oy.

SCALE	1:1	WEIGHT	-	A3	SHEET 1/1
-------	-----	--------	---	----	-----------

Notes

	PCB or heatsink level.
	LED location
	Ensure LED fitting from a product specific 3D model available from www.ledil.com
	For more details about installation please see LEDiL Installation Guide on www.ledil.com

H G F E D C B A