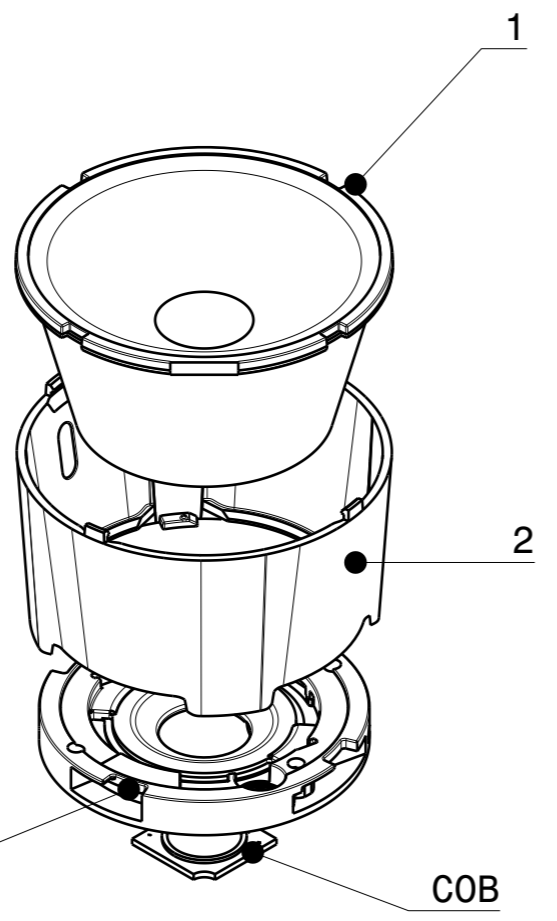
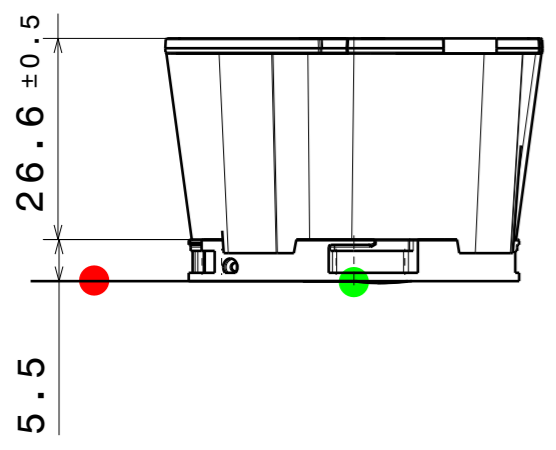
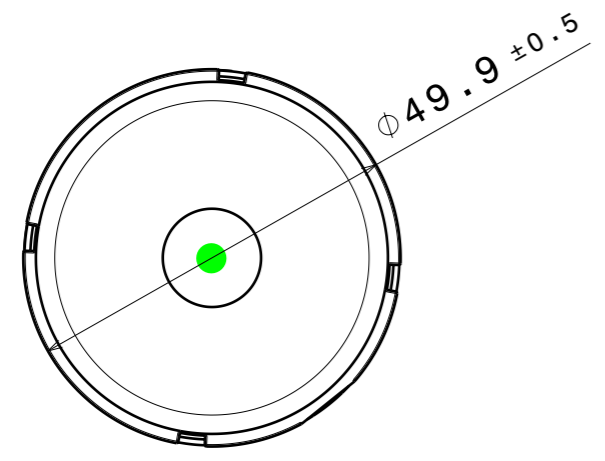
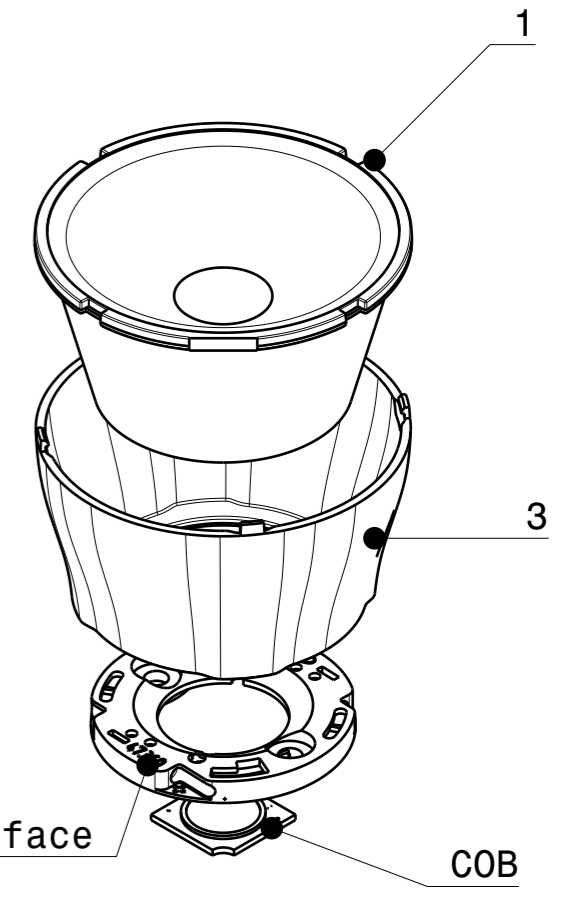
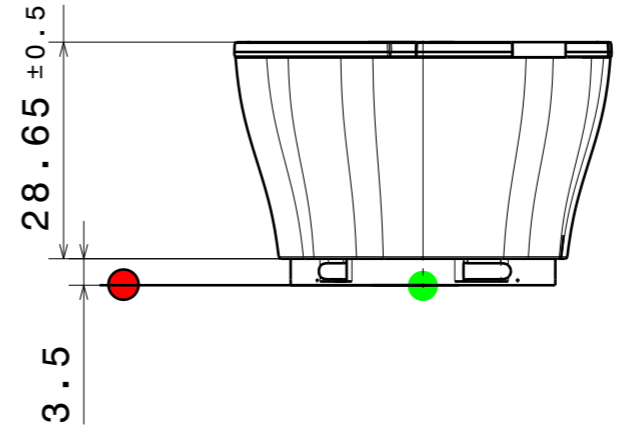


CP18725\_YASMEEN-50-W-C2  
 CP18739\_YASMEEN-50-W-C2-WHT



CP18732\_YASMEEN-50-W-B2  
 CP18746\_YASMEEN-50-W-B2-WHT



Top view  
 Scale: 1:1

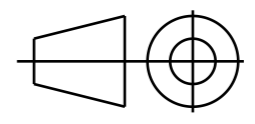
INDEX	PART	TYPE	QTY	MATERIAL	COLOUR/COATING	ASSEMBLY CODES
1	C17236_YASMEEN-50-W	LENS	1	PMMA	CLEAR	
2	HOLDER C	HOLDER 1				
	C18691_YASMEEN-50-HLD2-C			PC	BLACK	CP18725_YASMEEN-50-W-C2
	C18715_YASMEEN-50-HLD2-C-WHT			PC	WHITE	CP18739_YASMEEN-50-W-C2-WHT
3	HOLDER B					
	C18694_YASMEEN-50-HLD2-B			PC	BLACK	CP18732_YASMEEN-50-W-B2
	C18716_YASMEEN-50-HLD2-B-WHT			PC	WHITE	CP18746_YASMEEN-50-W-B2-WHT

**MECHANICAL DRAWING**

PRODUCT **YASMEEN-50-W**

Plastic moulding general tolerances according to DIN 16901-130 and applies if not otherwise shown in the drawing.  
 Silicone moulding general tolerances according to ISO 3302-1 Class M3 and applies if not otherwise shown in the drawing.

FIRST ANGLE PROJECTION:



SCALE 1:1

WEIGHT -

**LEDiL**

This drawing is the property of LEDiL Oy. It may not be copied or otherwise distributed without prior written permission from LEDiL Oy.

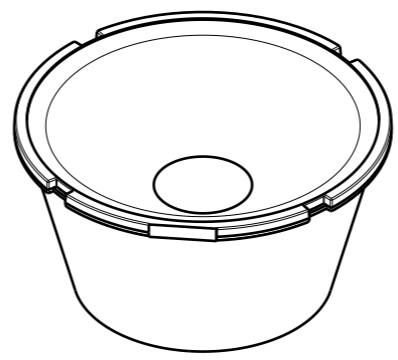
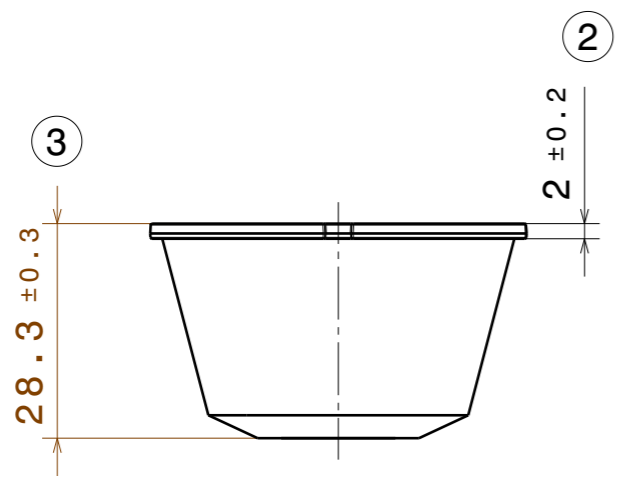
A3 SHEET 1/1

- Notes**
- PCB or heatsink level.
  - LED location
  - Ensure LED fitting from a product specific 3D model available from [www.ledil.com](http://www.ledil.com)
  - For more details about installation please see LEDiL Installation Guide on [www.ledil.com](http://www.ledil.com)

H G F E D C B A

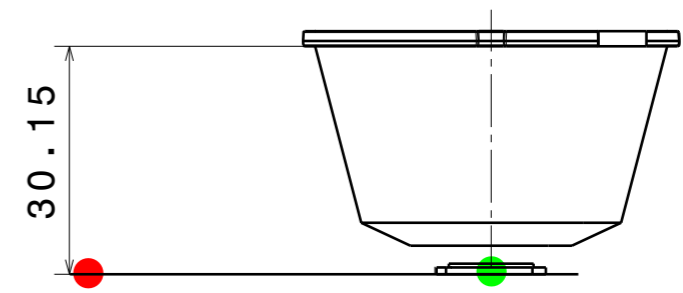
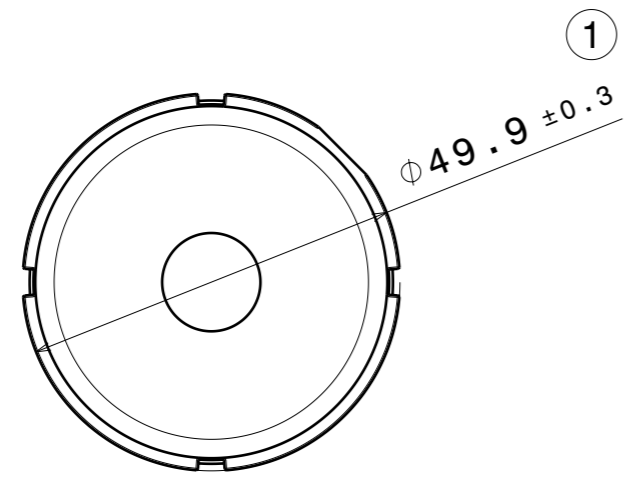
4

4



3

3



2

2

1

1

**Notes**

	PCB or heatsink level.
	LED location
	Ensure LED fitting from a product specific 3D model available from <a href="http://www.ledil.com">www.ledil.com</a>
	For more details about installation please see LEDiL Installation Guide on <a href="http://www.ledil.com">www.ledil.com</a>

PART	TYPE	MATERIAL	COLOR / COATING
C17236_YASMEEN-50-W	LENS	PMMA	CLEAR

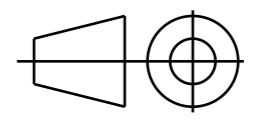
**MECHANICAL DRAWING**

PRODUCT **YASMEEN-50-W**

**LEDiL**

Plastic moulding general tolerances according to DIN 16901-130 and applies if not otherwise shown in the drawing.  
Silicone moulding general tolerances according to ISO 3302-1 Class M3 and applies if not otherwise shown in the drawing.

FIRST ANGLE PROJECTION:



This drawing is the property of LEDiL Oy. It may not be copied or otherwise distributed without prior written permission from LEDiL Oy.

SCALE	1:1	WEIGHT	-	A3	SHEET 1/1
-------	-----	--------	---	----	-----------

H G F E D C B A