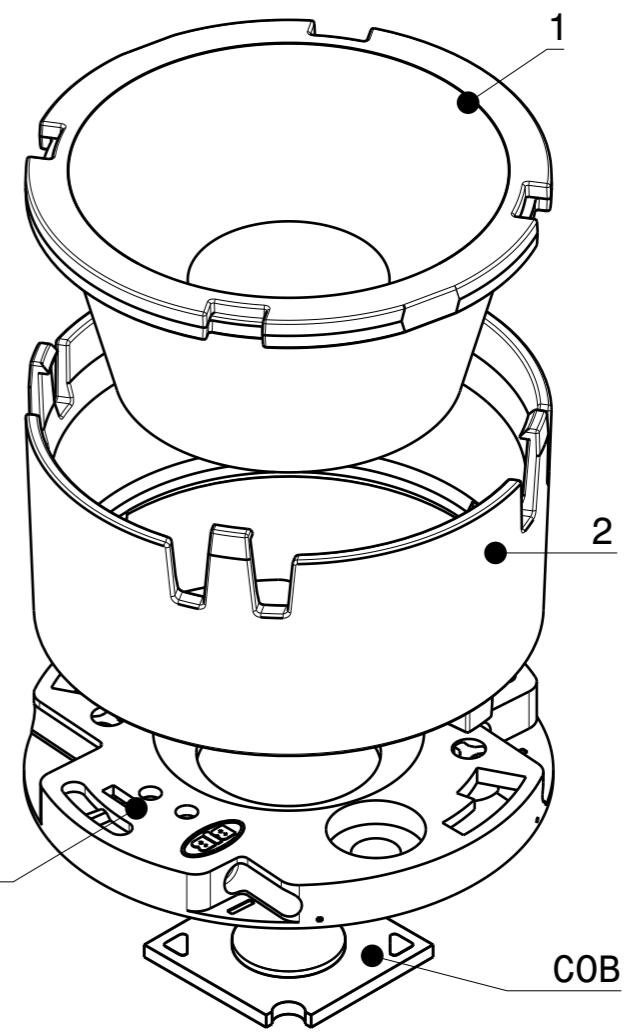
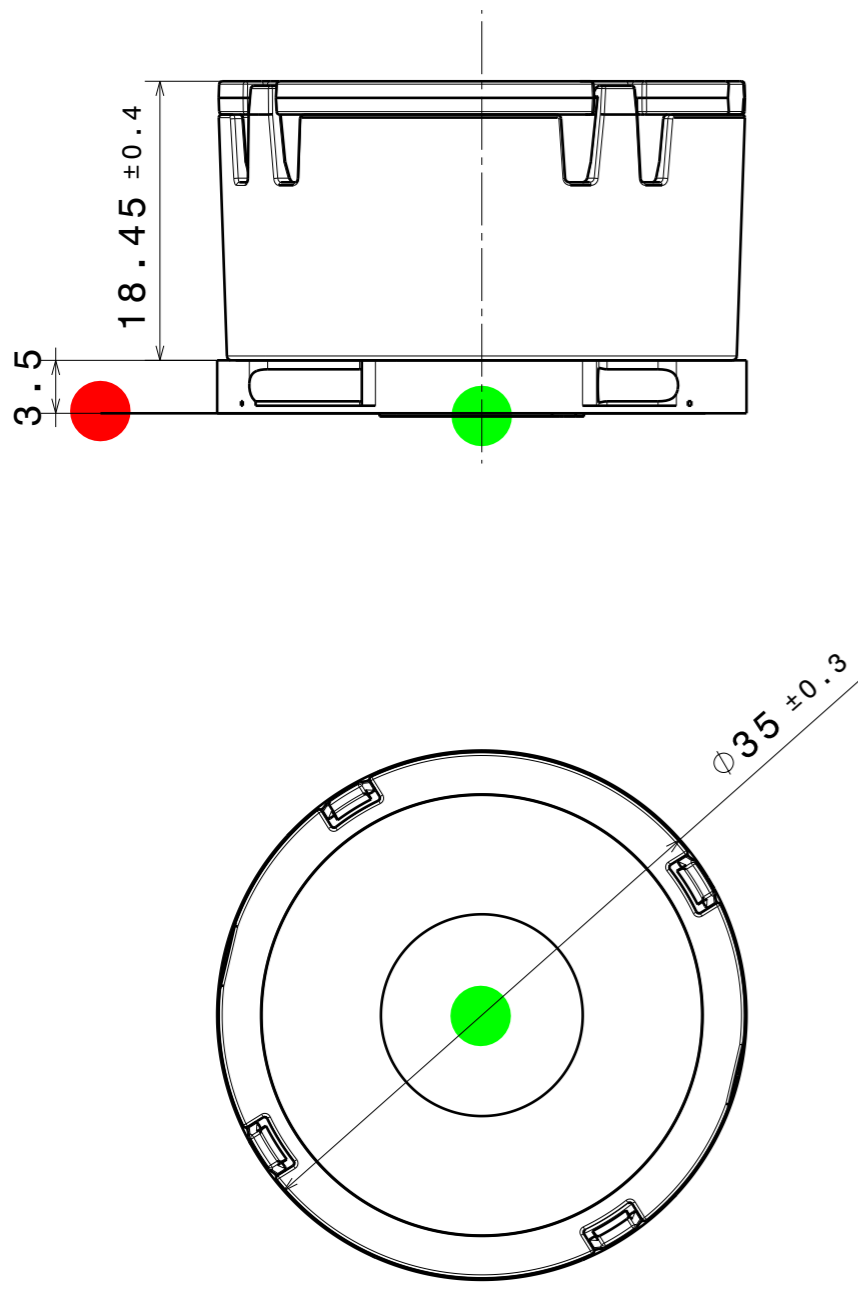


CP18526_YASMEEN-35-WW-B
 CP19223_YASMEEN-35-WW-B-WHT



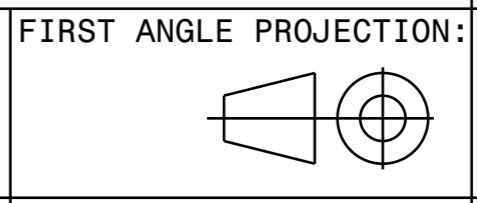
Connector
 BJB / B+W 35mm-interface

INDEX	PART	TYPE	QTY	MATERIAL	COLOUR/COATING	ASSEMBLY CODES
1	C18521_YASMEEN-35-WW	LENS	1	PMMA	CLEAR	
2	HOLDER B	HOLDER	1			
	C18522_YASMEEN-35-HLD-B			PC	BLACK	CP18526_YASMEEN-35-WW-B
	C19219_YASMEEN-35-HLD-B-WHT			PC	WHITE	CP19223_YASMEEN-35-WW-B-WHT

MECHANICAL DRAWING

PRODUCT
YASMEEN-35-WW

Plastic moulding general tolerances according to DIN 16901-130 and applies if not otherwise shown in the drawing.
 Silicone moulding general tolerances according to ISO 3302-1 Class M3 and applies if not otherwise shown in the drawing.



SCALE 2:1

WEIGHT -

LEDiL

This drawing is the property of LEDiL Oy. It may not be copied or otherwise distributed without prior written permission from LEDiL Oy.

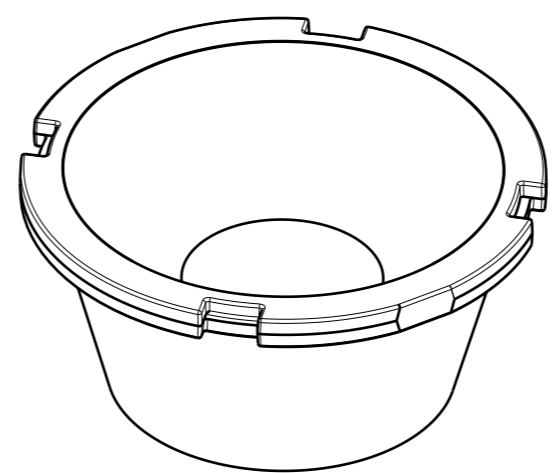
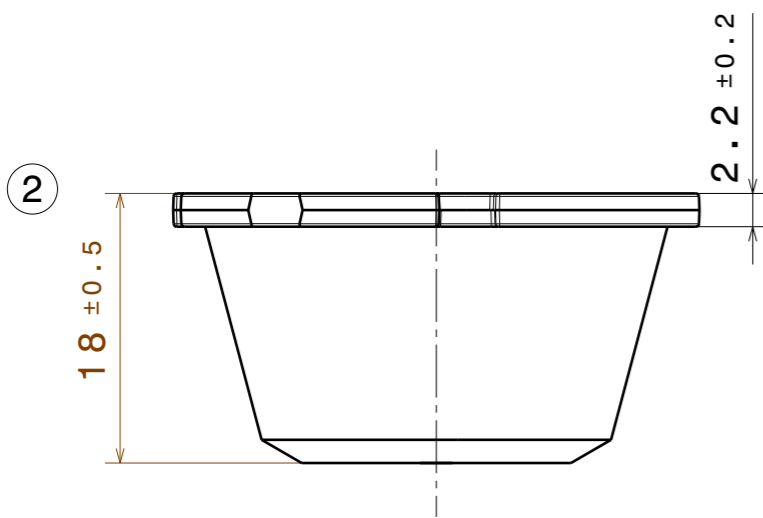
A3 SHEET 1/1

Notes

	PCB or heatsink level.
	LED location
	Ensure LED fitting from a product specific 3D model available from www.ledil.com
	For more details about installation please see LEDiL Installation Guide on www.ledil.com

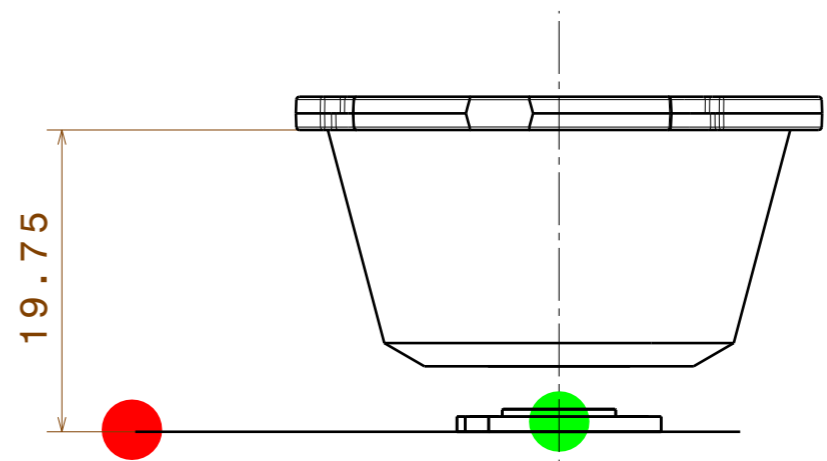
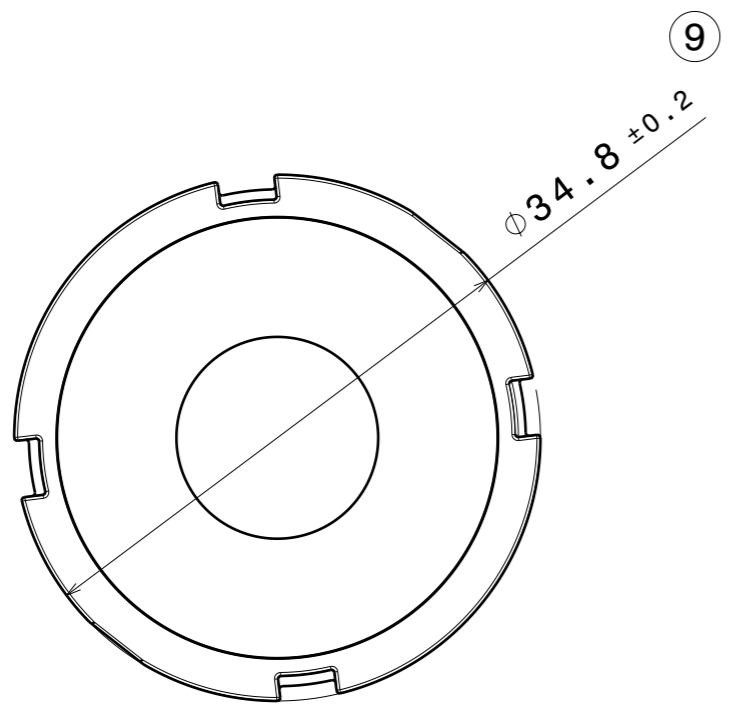
H G F E D C B A

4



4

3



3

2

2

PART	TYPE	MATERIAL	COLOR / COATING
C18521_YASMEEN-35-WW	LENS	PMMA	CLEAR

MECHANICAL DRAWING		LEDiL
PRODUCT	YASMEEN-35-WW	
Plastic moulding general tolerances according to DIN 16901-130 and applies if not otherwise shown in the drawing. Silicone moulding general tolerances according to ISO 3302-1 Class M3 and applies if not otherwise shown in the drawing.	FIRST ANGLE PROJECTION: 	This drawing is the property of LEDiL Oy. It may not be copied or otherwise distributed without prior written permission from LEDiL Oy.
SCALE 2:1	WEIGHT -	A3 SHEET 1/1

Notes

	PCB or heatsink level.
	LED location
	Ensure LED fitting from a product specific 3D model available from www.ledil.com
	For more details about installation please see LEDiL Installation Guide on www.ledil.com

H G F E D C B A

1

1