

## YASMEEN-25-FR-S-WHT

~9° ultra-narrow spot beam. Assembly with white holder for SMD LEDs and installation tape.

### SPECIFICATION:

Dimensions	Ø 24.8
Height	17.7 mm
Fastening	tape
ROHS compliant	yes ⓘ

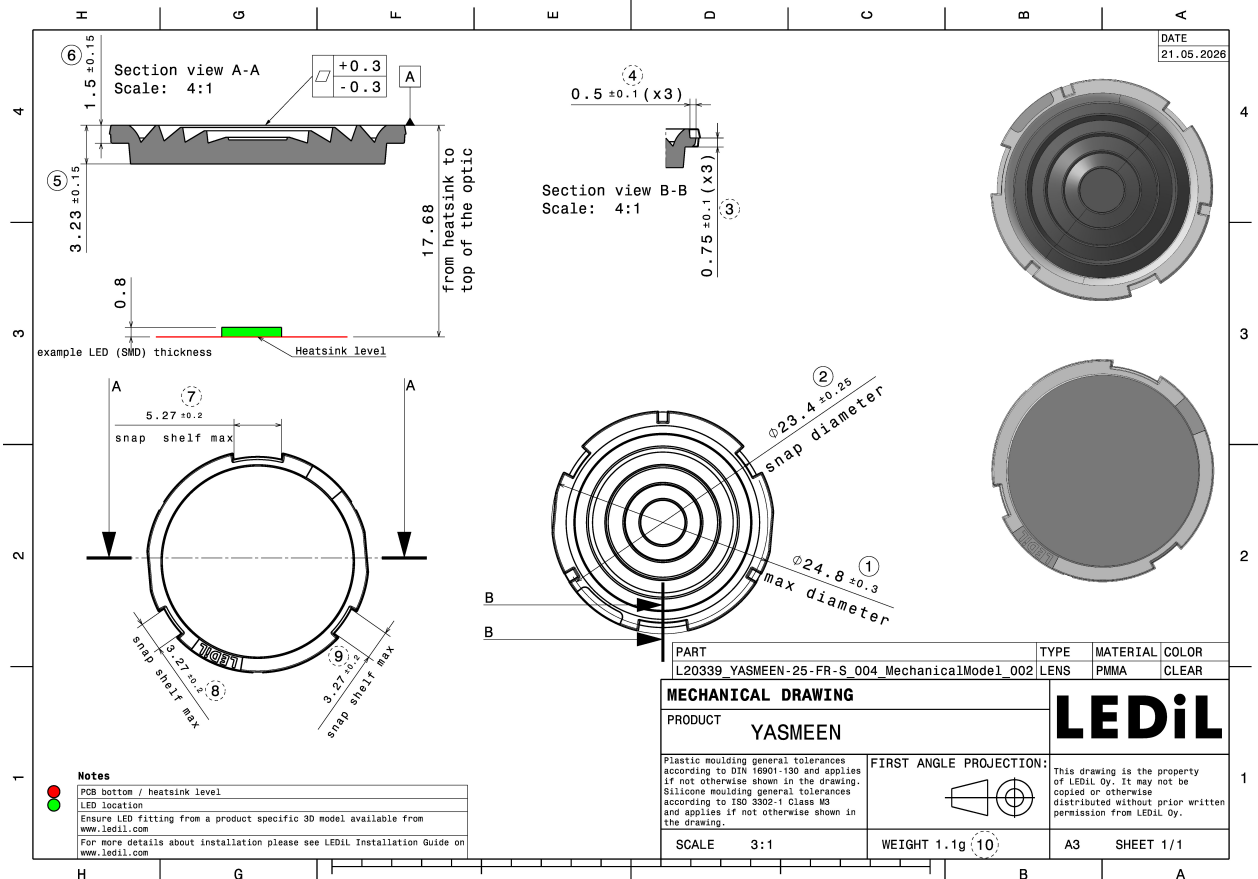
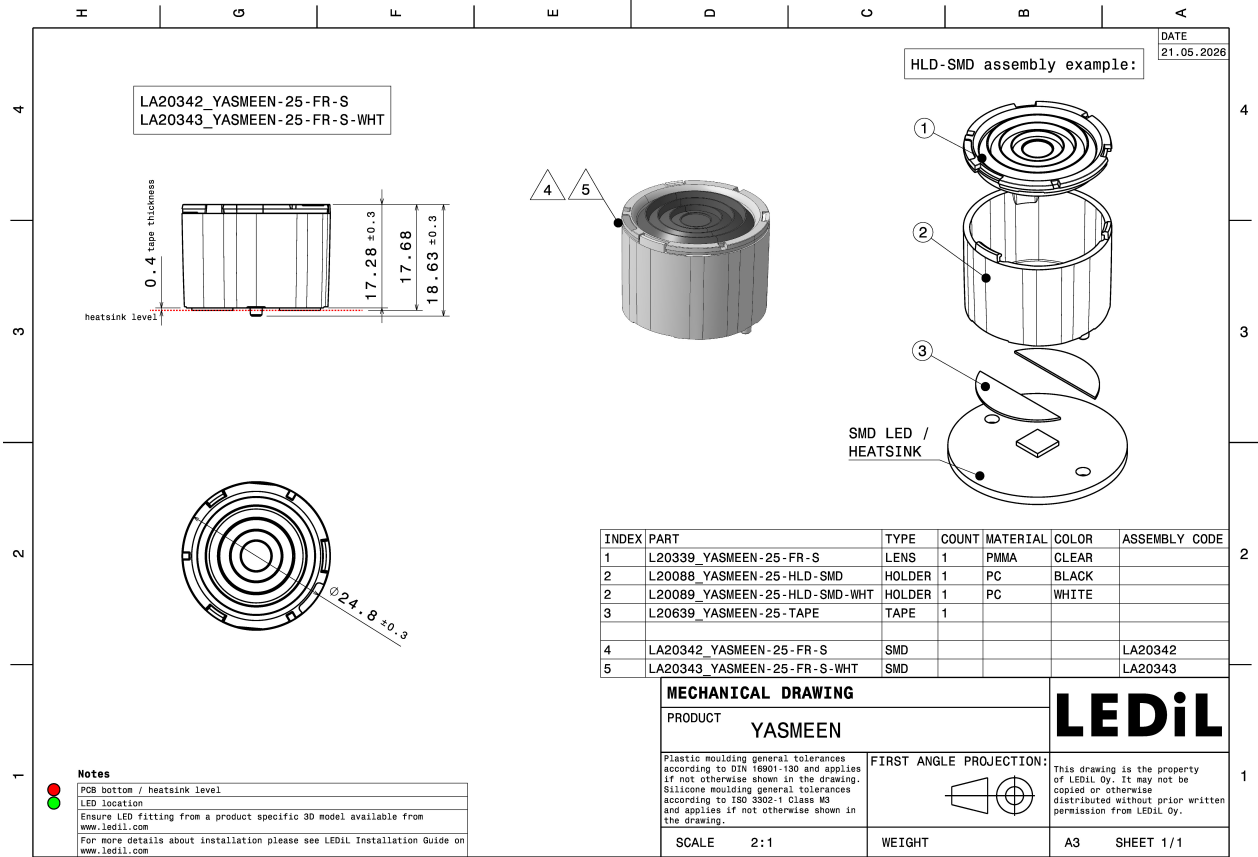


### MATERIALS:

Component	Type	Material	Colour	Finish	Length (mm)
YASMEEN-25-HLD-SMD-WHT » Box size: 476 x 273 x 247 mm	Holder	PC	white	gloss	
YASMEEN-25-FR-S » Box size: 476 x 273 x 197 mm	Single lens	PMMA	clear		

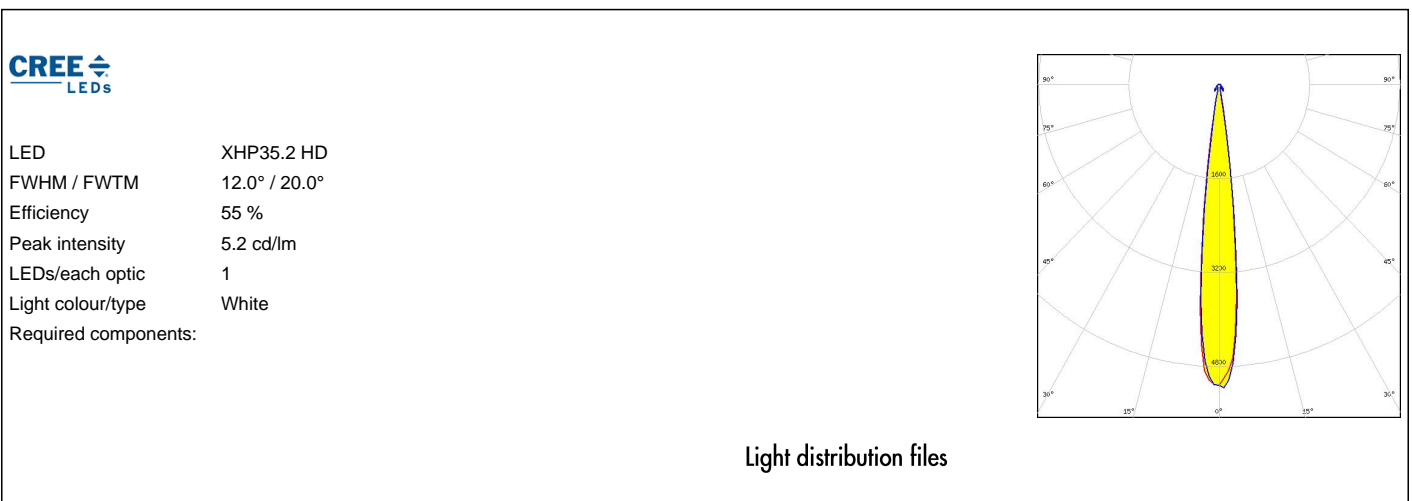
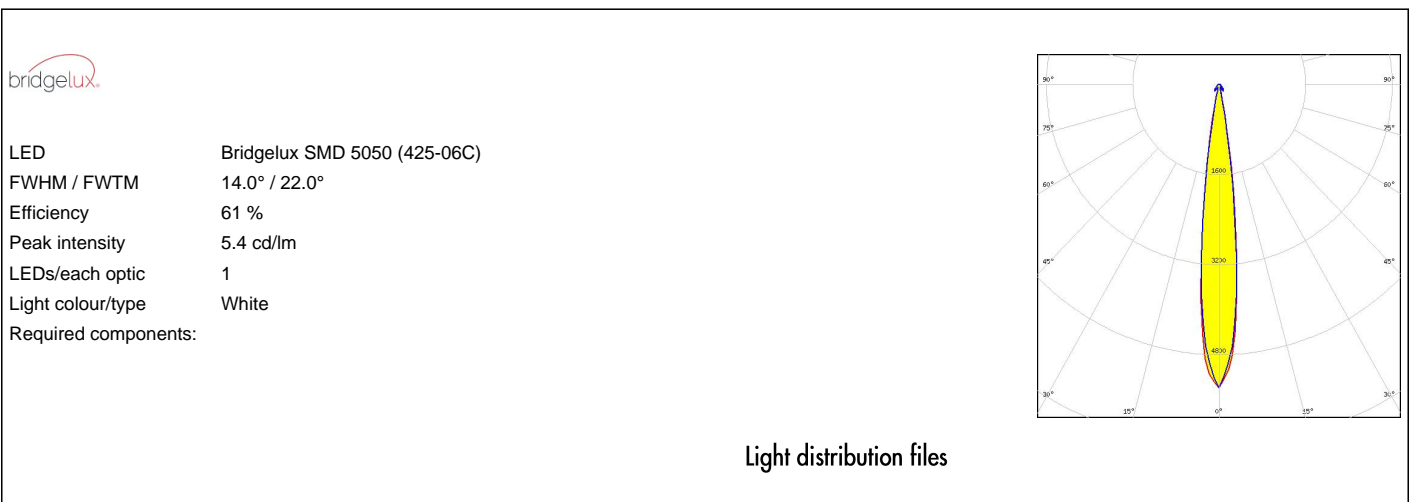
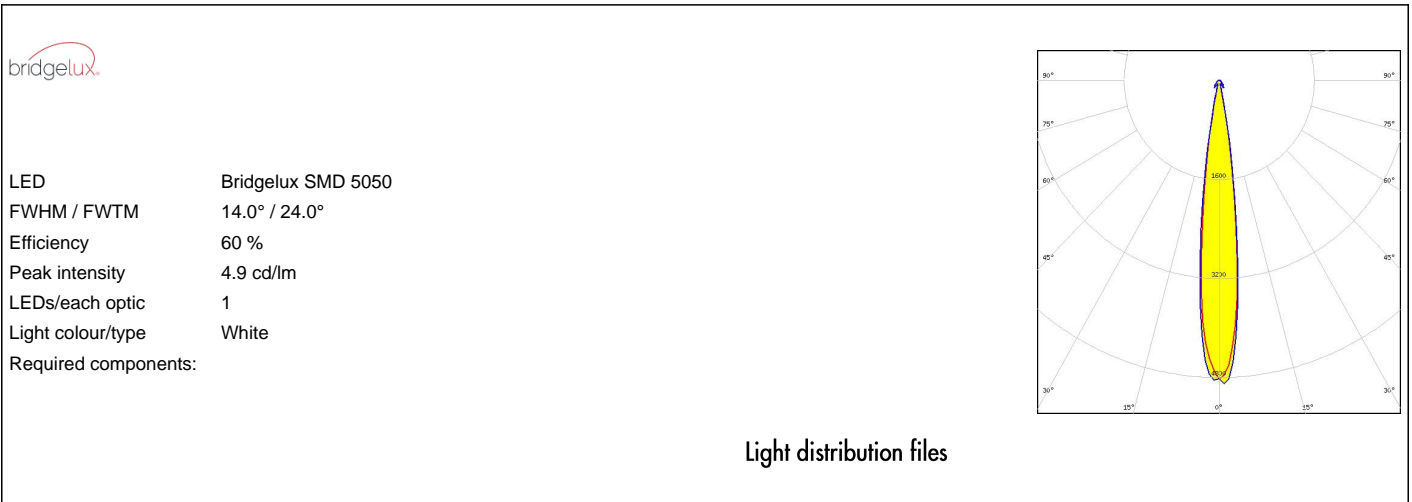
### ORDERING INFORMATION:

Component	Type	Qty in box	MOQ	MPQ	Box weight (kg)
L20089_YASMEEN-25-HLD-SMD-WHT	Holder	1560	130	130	3.8
L20339_YASMEEN-25-FR-S	Single lens	1560	130	130	3.8
L20639_YASMEEN-25-TAPE	Tape	1560	130	130	3.8



See also our general installation guide: [www.ledil.com/installation\\_guide](http://www.ledil.com/installation_guide)

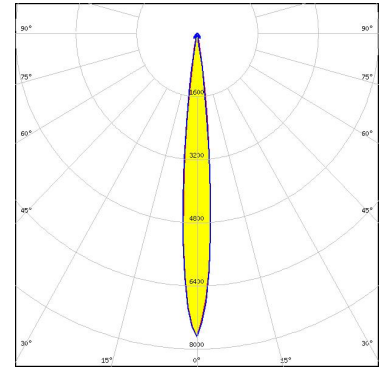
#### OPTICAL RESULTS (SIMULATED):



#### OPTICAL RESULTS (SIMULATED):



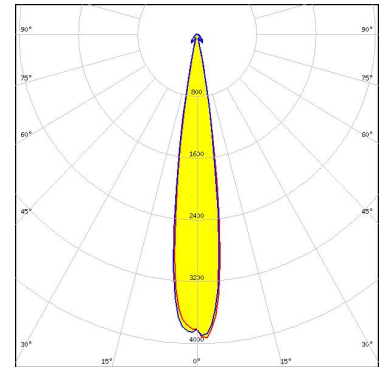
**LED** XHP35.2 HI  
**FWHM / FWTM** 10.0° / 18.0°  
**Efficiency** 59 %  
**Peak intensity** 7.7 cd/lm  
**LEDs/each optic** 1  
**Light colour/type** White  
**Required components:**



Light distribution files



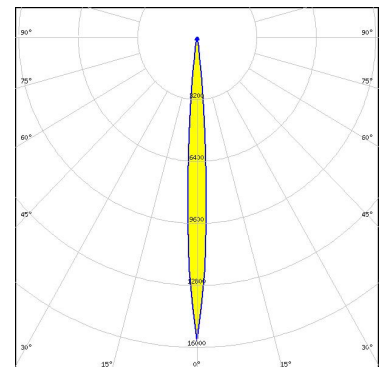
**LED** XHP50.2  
**FWHM / FWTM** 16.0° / 24.0°  
**Efficiency** 58 %  
**Peak intensity** 4 cd/lm  
**LEDs/each optic** 1  
**Light colour/type** White  
**Required components:**



Light distribution files

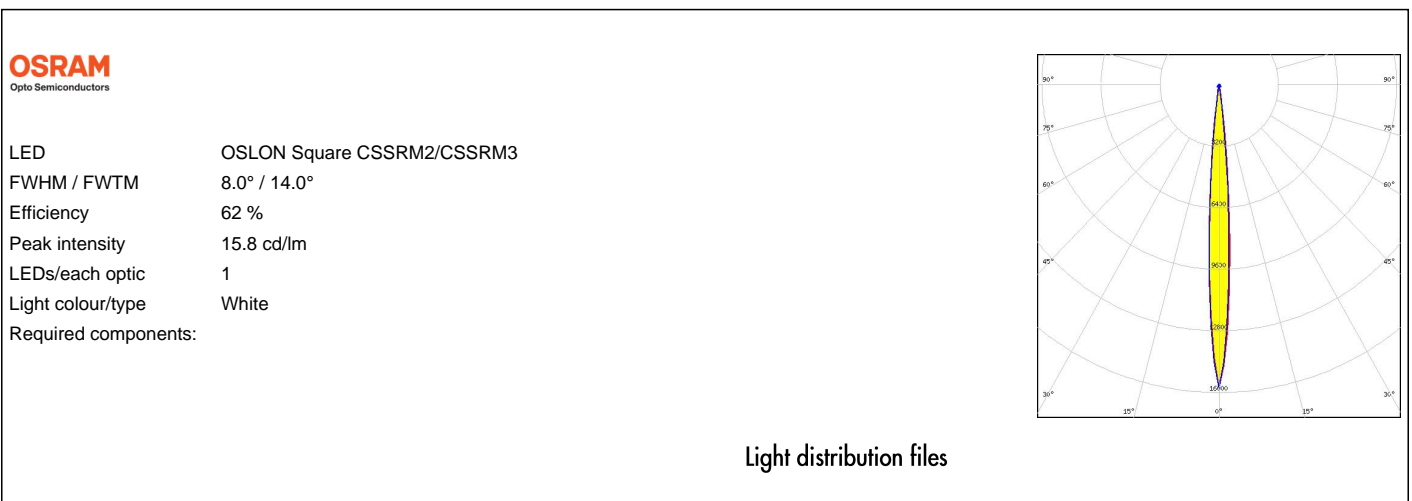
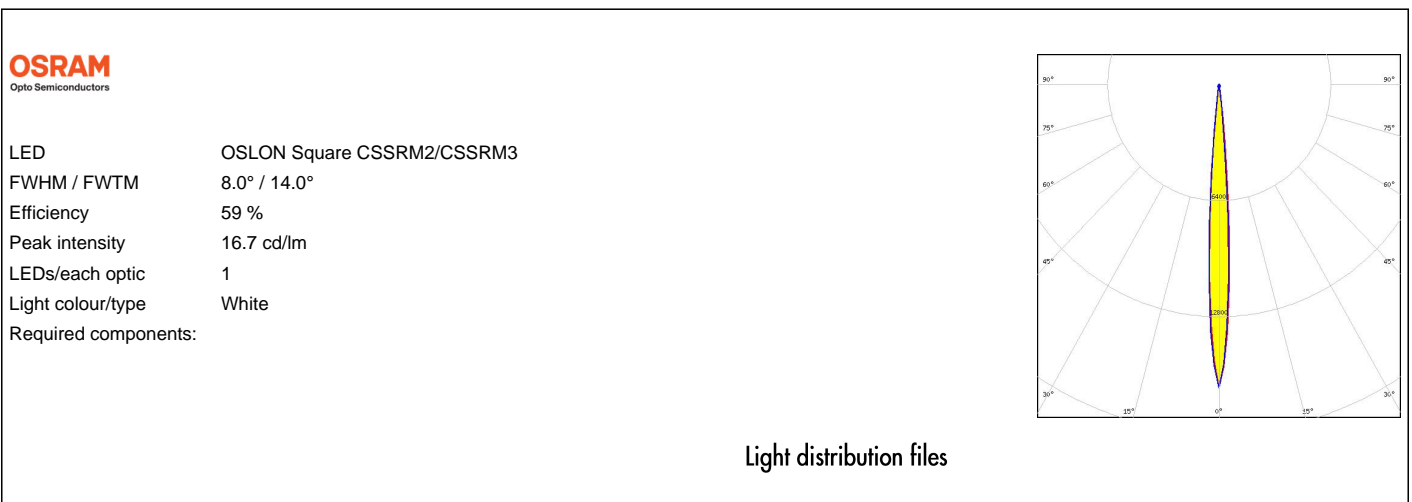
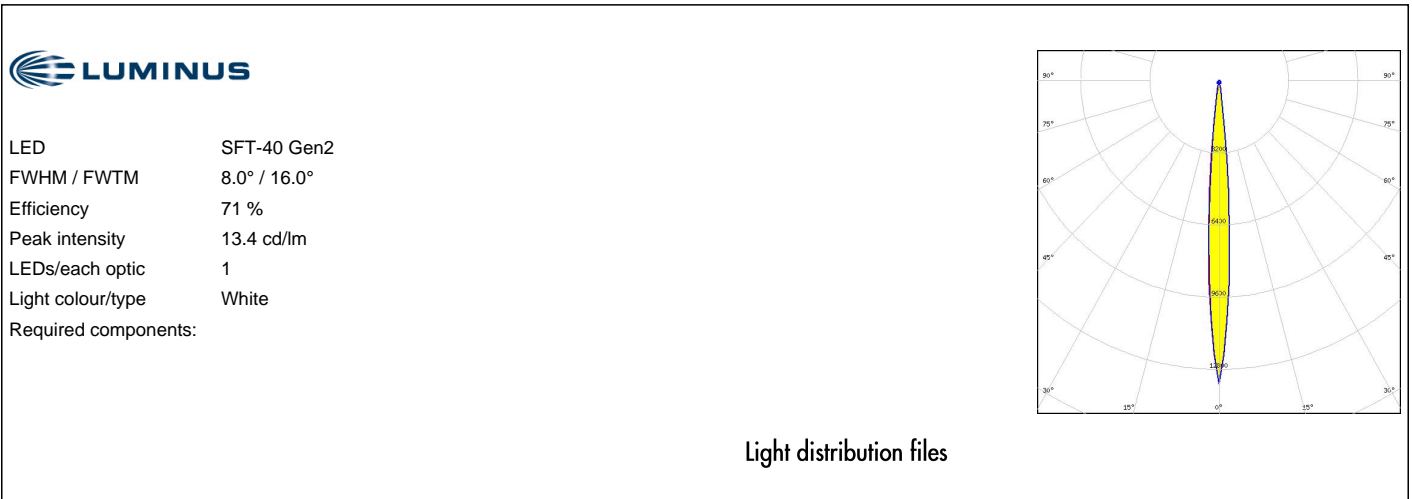


**LED** SFT-12R-W-A  
**FWHM / FWTM** 8.0° / 14.0°  
**Efficiency** 70 %  
**Peak intensity** 15.7 cd/lm  
**LEDs/each optic** 1  
**Light colour/type** White  
**Required components:**



Light distribution files

#### OPTICAL RESULTS (SIMULATED):



#### GENERAL INFORMATION:

NOTE: The typical beam angle will be changed by different color, chip size and chip position tolerance. The typical total beam angle is the full angle measured where the luminous intensity is half of the peak value.

#### MATERIALS:

As part of our continuous research and improvement processes, and to ensure the best possible quality and availability of our products, LEDiL reserves the right to change material grades without notice.

#### PRODUCT DATA USER AGREEMENT AND DISCLAIMER:

The measured data in the provided downloadable LEDiL Product Datasheets and Mechanical 2D-Drawings is rounded and provided as reference for planning. LEDiL Oy's optical specifications have been verified by conducting performance testing of the products in accordance with the company's quality system. The reported data are averaged results of multiple measurements with typical variation. LEDiL Oy reserves the right to without prior notification make changes and improvements to its products.

LEDiL Oy assumes neither warranty, nor guarantee nor any other liability of any kind for the contents and correctness of the provided data. The provided data has been generated with highest diligence but the provided data may in reality not represent the complete possible variation range of all intrinsic parameters. Therefore, in certain cases a deviation from the provided data could occur.

LEDiL Oy reserves the right to undertake technical changes of its products without further notification which could lead to changes in the provided data. LEDiL Oy assumes no liability of any kind for the possible deviation from any provided data or any other damage resulting from the usage of the provided data.

The user agrees to this disclaimer and user agreement with the download or usage of the provided files.

#### LEDiL Oy

Joensuunkatu 7  
FI-24100 SALO  
Finland

#### LEDiL Inc.

228 West Page Street  
Suite D  
Sycamore IL 60178  
USA

#### Ledil Optics Technology (Shenzhen) Co., Ltd.

# 405 , Block B  
Casic Motor Building  
Shenzhen 518057  
P.R.CHINA

#### Local sales and technical support

[www.ledil.com/  
where\\_to\\_buy](http://www.ledil.com/where_to_buy)

#### Shipping locations

Poznan, Poland  
Hong Kong, China

#### Distribution Partners

[www.ledil.com/  
where\\_to\\_buy](http://www.ledil.com/where_to_buy)