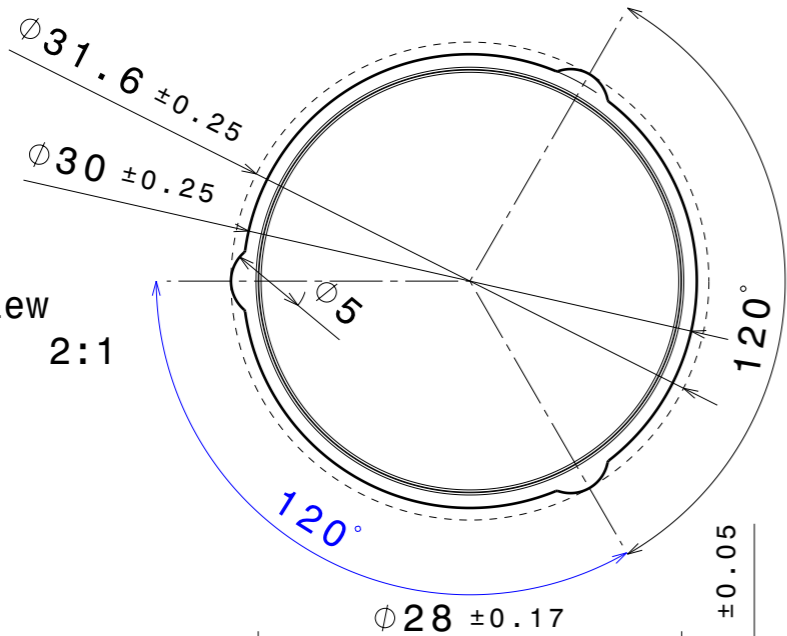
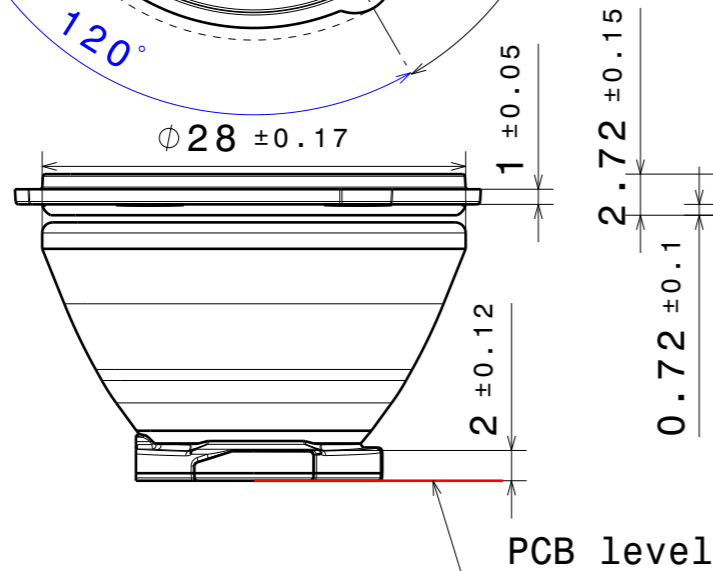


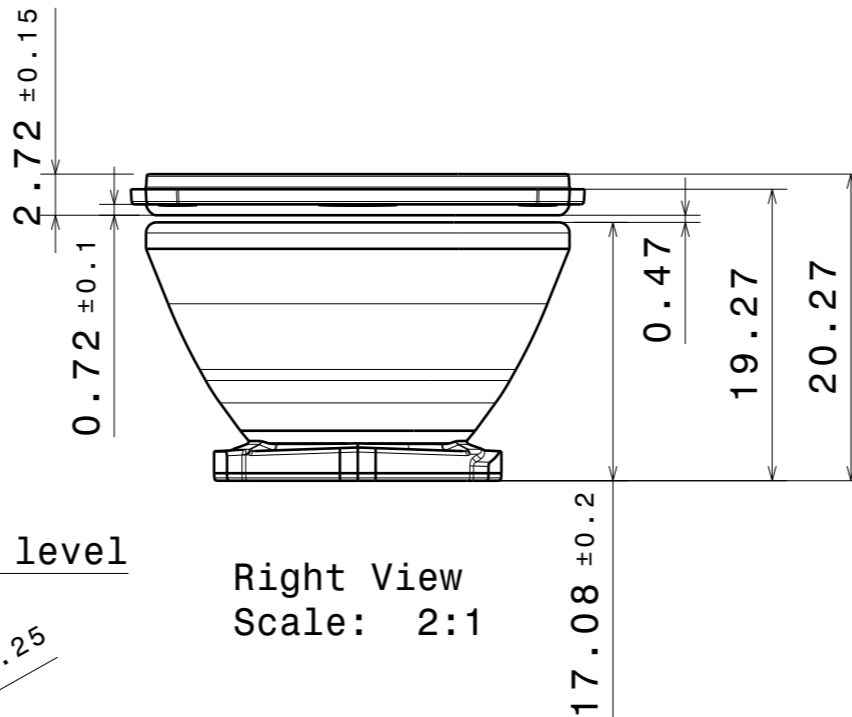
Top View
Scale: 2:1



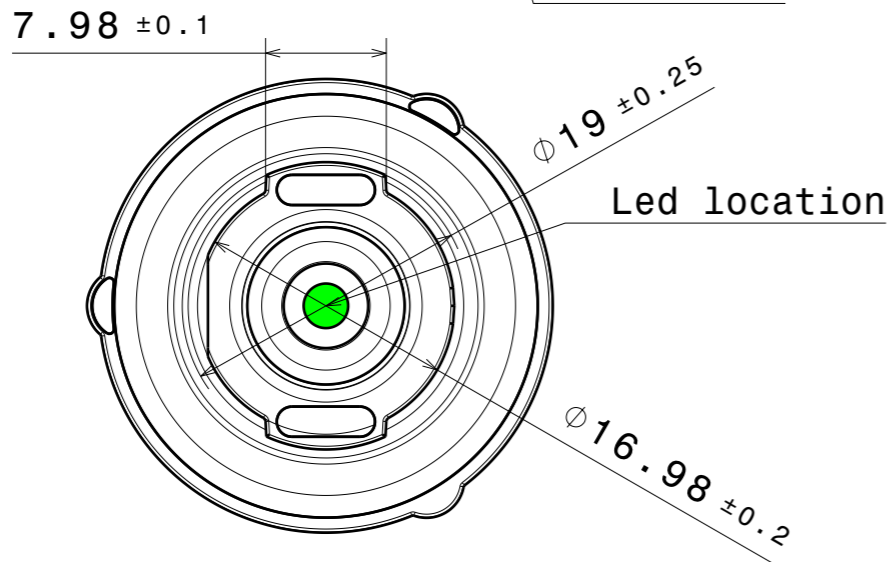
Front View
Scale: 2:1



Right View
Scale: 2:1

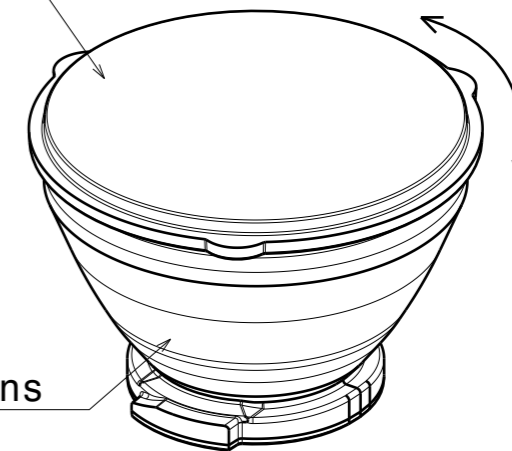


Bottom View
Scale: 2:1



Sub lens

Base lens



Isometric View
Scale: 2:1

CN17983_ZOE-30-ZOOM
COMPONENTS

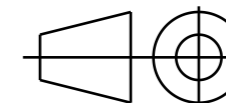
INDEX	PART	TYPE	MATERIAL	COLOR / COATING
1	C17717_ZOE-30-ZOOM-SUB_Mech_Model	Lens	PC	CLEAR
2	C17716_ZOE-30-ZOOM_Mehcanical_Model	Lens	PMMA	CLEAR

MECHANICAL DRAWING

PRODUCT
ZOE

Plastic moulding general tolerances according to DIN 16901-130 and applies if not otherwise shown in the drawing. Silicone moulding general tolerances according to ISO 3302-1 Class M3 and applies if not otherwise shown in the drawing.

FIRST ANGLE PROJECTION:



LEDiL®

This drawing is the property of LEDiL Oy. It may not be copied or otherwise distributed without prior written permission from LEDiL Oy.

SCALE 1:1

WEIGHT -

A3 SHEET 1/1

Notes

●	PCB or heatsink level.
●	LED location
	Ensure LED fitting from a product specific 3D model available from www.ledil.com
	For more details about installation please see LEDiL Installation Guide on www.ledil.com