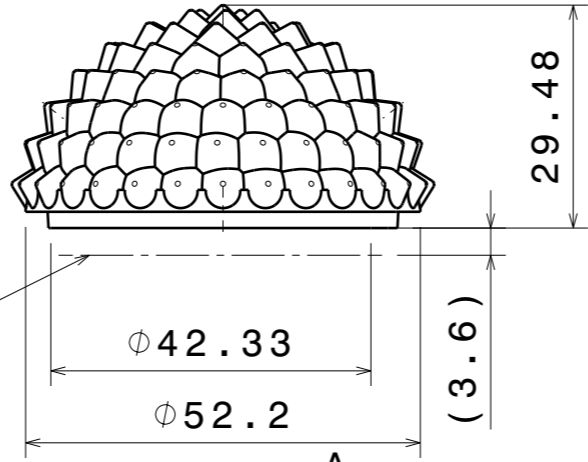


H G F E D C B A

4

Front view



PWB level when Hekla socket

∅42.33

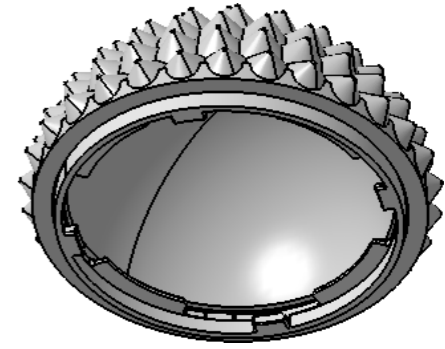
∅52.2

29.48

(3.6)

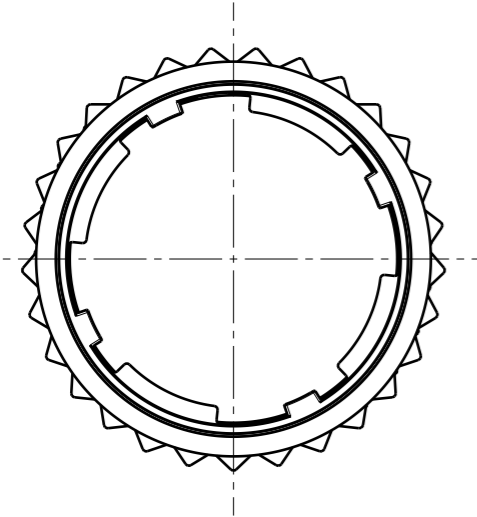
A

3

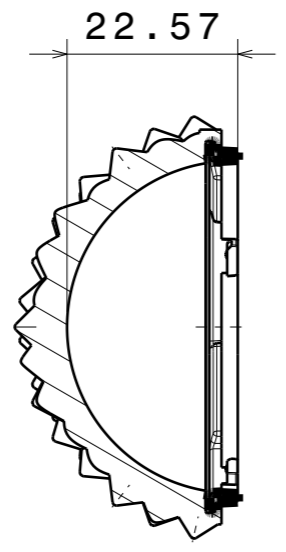


Isometric view

2

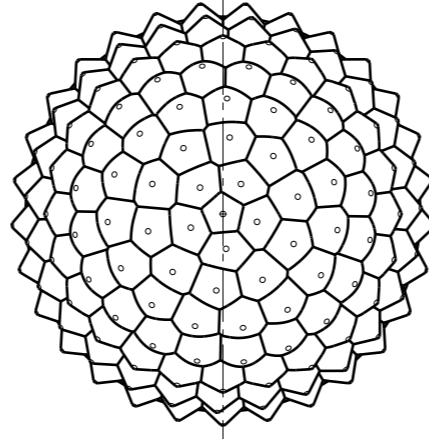


Bottom view



A-cut view

22.57


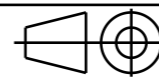


Top view

A

1

INDEX	PART NO	DESCRIPTION	MATERIAL	COLOUR
1	F15526	ZORYA-SC-ADAPTER-HEKLA	PC	Clear
2	F15074	ZORYA-SC	Silicon	Clear

Tolerances if not otherwise shown According to DIN ISO 2768-1 Linear measures: Up to 30mm class M, otherwise class C. According to DIN ISO 2768-2 Form and position: class L		 Ledil Oy Joensuukatu 13 FIN 24100 SALO Finland		
THIRD ANGLE PROJECTION: 		DRAWING TITLE FP15072_ZORYA-SC-40		
This drawing is the property of LEDiL Oy. It may not be reproduced, copied or communicated without a written agreement with LEDiL Oy.		SIZE A3	PART NUMBER FP15072	
		SCALE 1:1	WEIGHT 26,5 g	SHEET 1/1

H G B A