

D

C

B

A

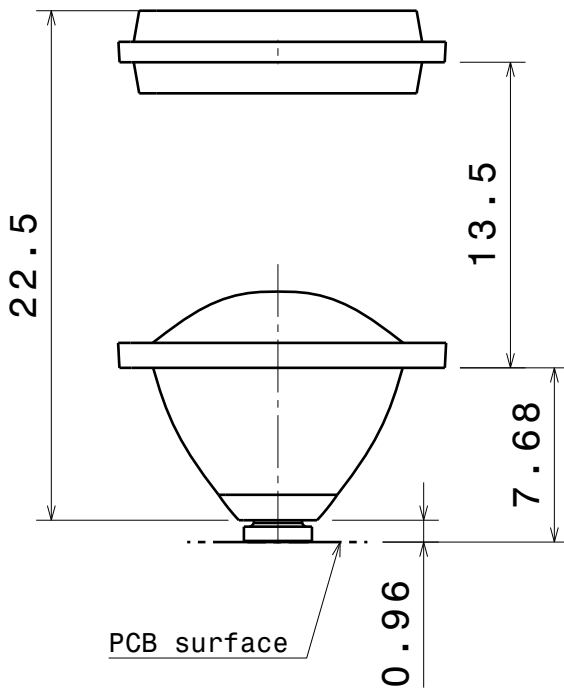
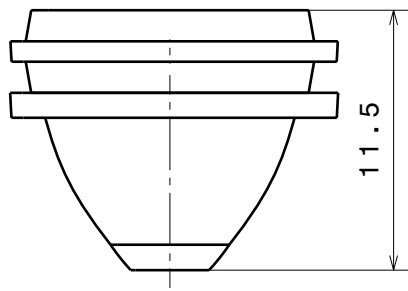
4

4

Spot position

Wide position

Front view



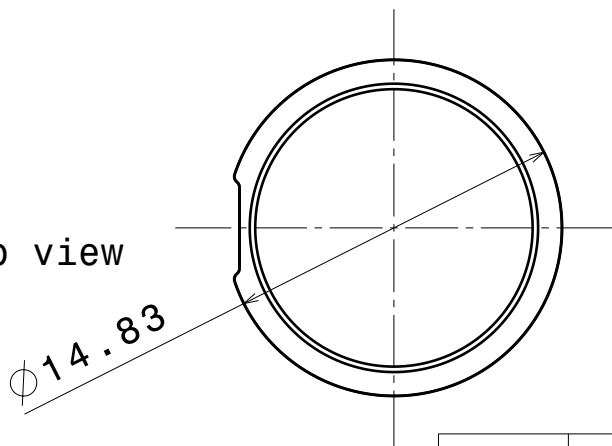
3

3

2

2

Top view



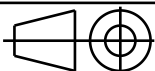
INDEX	PART NO	DESCRIPTION	MATERIAL	COLOUR
1	C12831	ZOWIE-MINI-LENS2	PMMA	CLEAR
2	C12830	ZOWIE_MINI-LENS1	PMMA	CLEAR

Tolerances if not otherwise shown  
 According to DIN ISO 2768-1  
 Linear measures:  
 up to 30mm class M, otherwise class C  
 According to DIN ISO 2768-2  
 Form and position: class L

**LEDiL**

Ledil Oy  
 Joensuunkatu 13  
 FIN 24100 SALO  
 Finland

THIRD ANGLE PROJECTION:



DRAWING TITLE

ZOWIE MINI assembly

This drawing is the property  
 of LEDiL Oy. It may not be  
 reproduced, copied or  
 communicated without a written  
 agreement with LEDiL Oy.

SIZE PART NUMBER

A4

CC13052

SCALE

3:1

WEIGHT

-

SHEET

1/1

D

A

1