



PRODUCT CHANGE NOTIFICATION

Date: November 06, 2015
PCN: PCN LEDIL 112 b

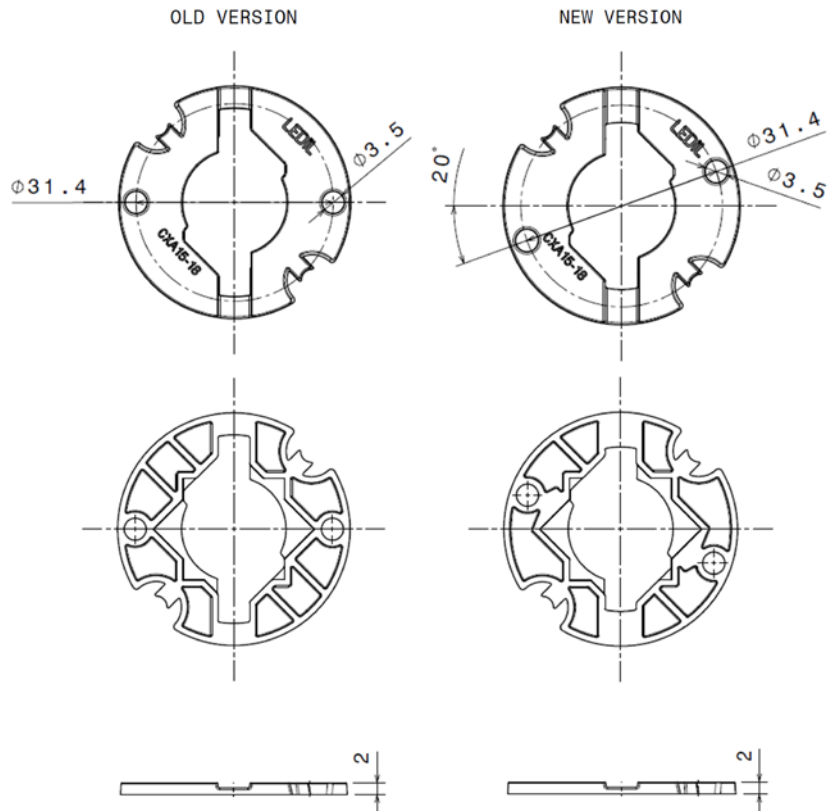
Subject: PCN 112.b – Change of product mechanical design

Description: As part of our continuous improvement process regarding the quality of our products LEDiL has moved the screw holes in C14305_STELLA-CLAMP-CXA15-18 to improve mechanical functioning between different COB versions.

Time line: This change is valid immediately

Affected products: C14305_STELLA-CLAMP-CXA15-18
Included in assemblies: FCN14412_STELLA-A
FCN14661_STELLA-A

Changes: Screw hole positions have been changed accordingly.



Contact information: Tero Mäkinen
LEDIL Oy
Salorankatu 10
24240 SALO, FINLAND