



## PRODUCT CHANGE NOTIFICATION

Date: November 06, 2015  
PCN: PCN LEDIL 112 d

---

**Subject:** **PCN 112.d – EOL notice**

**Description:** As part of our continuous improvement process regarding the quality of our products LEDiL is planning to obsolete some BRIDGET-family reflectors and replace them with BRIDGET-UNI counterparts due the possible clash with some COBs.

**Time line:** LEDiL offers last buy opportunity to customers until December 2nd 2015 after which only improved BRIDGET-UNI products are available

**Affected products:** C10918\_BRIDGET-S  
C10919\_BRIDGET-M  
C10920\_BRIDGET-W

**Changes:** Products will be replaced as follows.  
C10918\_BRIDGET-S → **C13557\_BRIDGET-S-UNI**  
C10919\_BRIDGET-M → **C13556\_BRIDGET-M-UNI**  
C10920\_BRIDGET-W → **C13555\_BRIDGET-W-UNI**

(CONTINUES ON PAGE 2)

**Contact information:** Tero Mäkinen  
LEDIL Oy  
Salorankatu 10  
24240 SALO, FINLAND  
tero.makinen@ledil.com



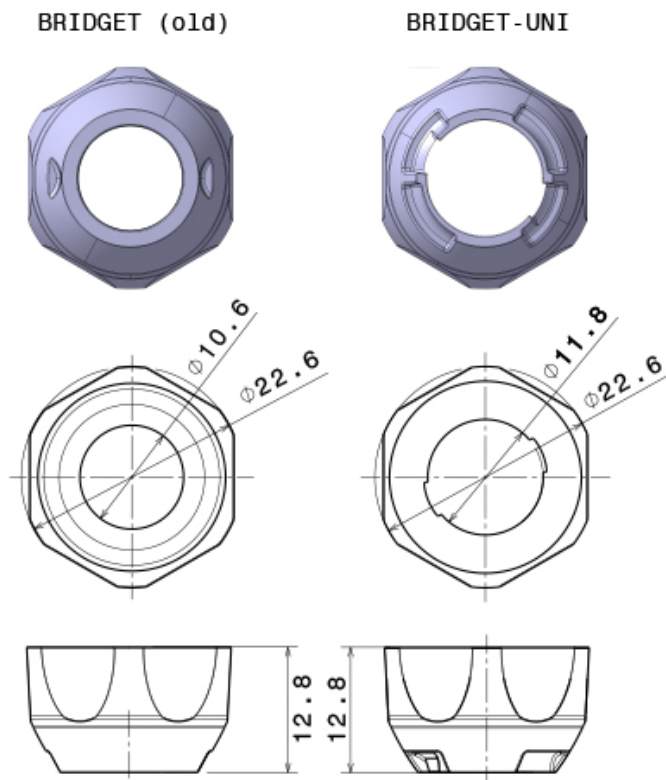
**PRODUCT CHANGE NOTIFICATION**

Date: November 06, 2015  
 PCN: PCN LEDIL 112 a, b, c, d

**Subject: PCN 112.d – EOL notice**

(CONTINUED FROM PAGE 1)

Mechanical and optical differences between the products:



|                  | S     | S-UNI        | M     | M-UNI        | W     | W-UNI        |
|------------------|-------|--------------|-------|--------------|-------|--------------|
| Imax [cd/lm]     | 1.08  | <b>1.09</b>  | 1.18  | <b>0.99</b>  | 0.97  | <b>0.91</b>  |
| FWHM C0-C180 [°] | 41.80 | <b>43.20</b> | 49.80 | <b>53.40</b> | 60.30 | <b>60.90</b> |
| 10% C0-C180 [°]  | 97.20 | <b>95.00</b> | 80.50 | <b>86.50</b> | 85.20 | <b>86.40</b> |
| LOR [%]          | 85.10 | <b>84.90</b> | 83.30 | <b>81.60</b> | 87.60 | <b>84.70</b> |

Contact information: Tero Mäkinen  
 LEDIL Oy  
 Salorankatu 10  
 24240 SALO, FINLAND  
 tero.makinen@ledil.com