

FLARE-MAXI-T – Low pole street lighting

LEDiL's new addition to the FLARE family is FLARE-MAXI-T, low pole street lighting optic suitable for roads with bridge railings or smaller walking roads where mounting is below eye level. FLARE-MAXI-T can also be used in area lighting in parks and pathways. Typical luminaire mounting height is 0.8 meters and optics work on setups on both sides of the road or just on one side. FLARE-MAXI-T is designed for super high power LEDs like Philips Lumileds Luxeon M and Cree MK-R.

FEATURES

- Low pole street and pathway lighting optic
- Typical mounting height 0.8 m
- Optimized for Philips Lumileds Luxeon M and Cree MK-R

TYPICAL APPLICATIONS

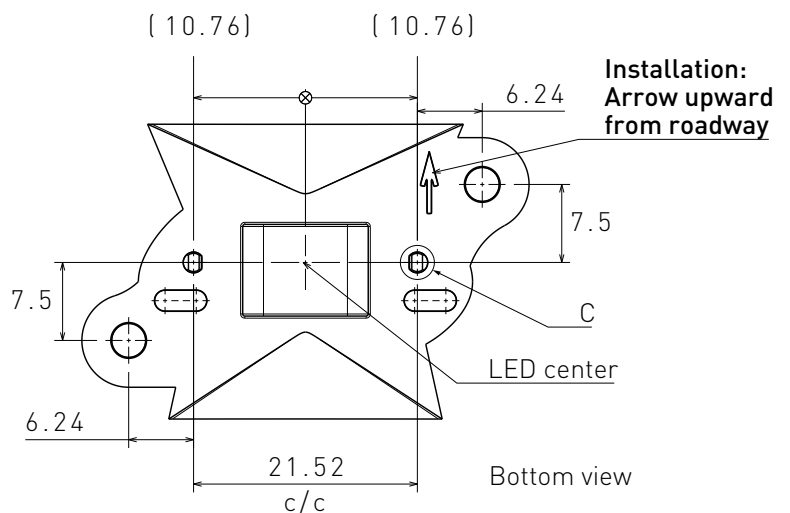
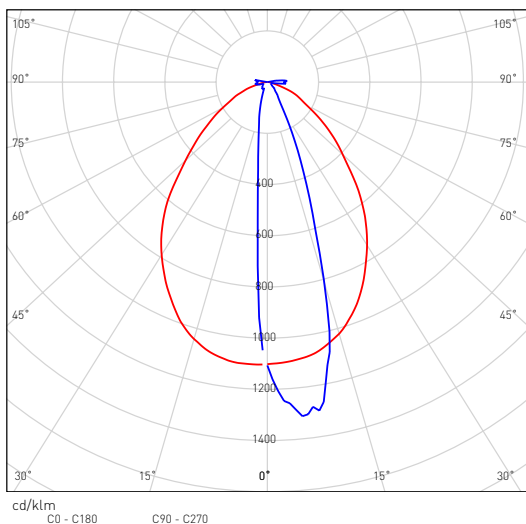
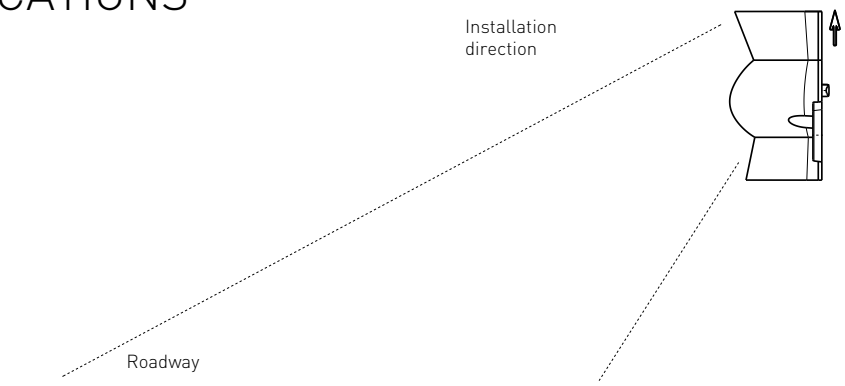
- Low pole street lighting
- Area lighting



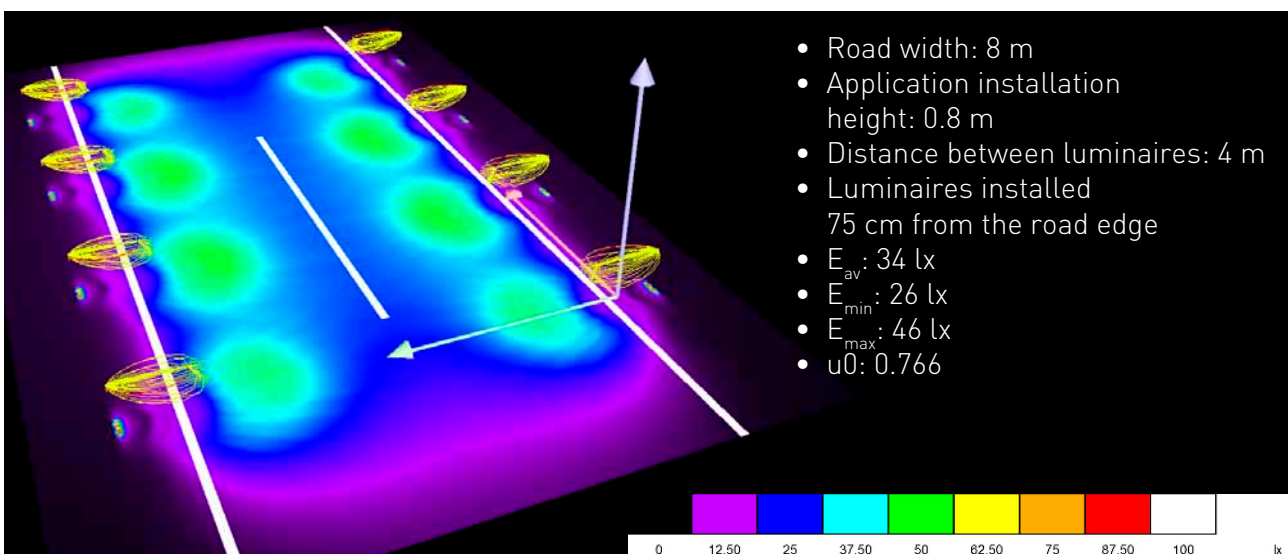
C14613_FLARE-MAXI-T

TECHNICAL SPECIFICATIONS

- Dimensions 43 x 28.4 mm
- Height 15.6 mm
- Typical efficiency 93%
- Optimized for Philips Lumileds Luxeon M and Cree MK-R LEDs
- Precision-molded from optical grade PMMA – UL94 HB rated material with operating rating -40°C to +80°C



DESIGN EXAMPLE



ORDERING INFORMATION

C14613_FLARE-MAXI-T

Visit www.ledil.com for ordering codes and latest product specifications, which may vary by LED